

Item description/product images



Description

Material:

Body carbon steel.
 Balls roller bearing steel.
 Diverters plastic.

Version:

Bright.

Note:

Standard guide carriage with recirculating ball guidance precision N not preloaded (Z0). With double-sided end seal. 4-row versions with round arch profile. The profile guide rail tracks are arranged at 45° and can accept loads from all directions.

High dynamic values: $v = 5 \text{ m/s}$.

Applicable temperature in continuous use max. 80 °C.

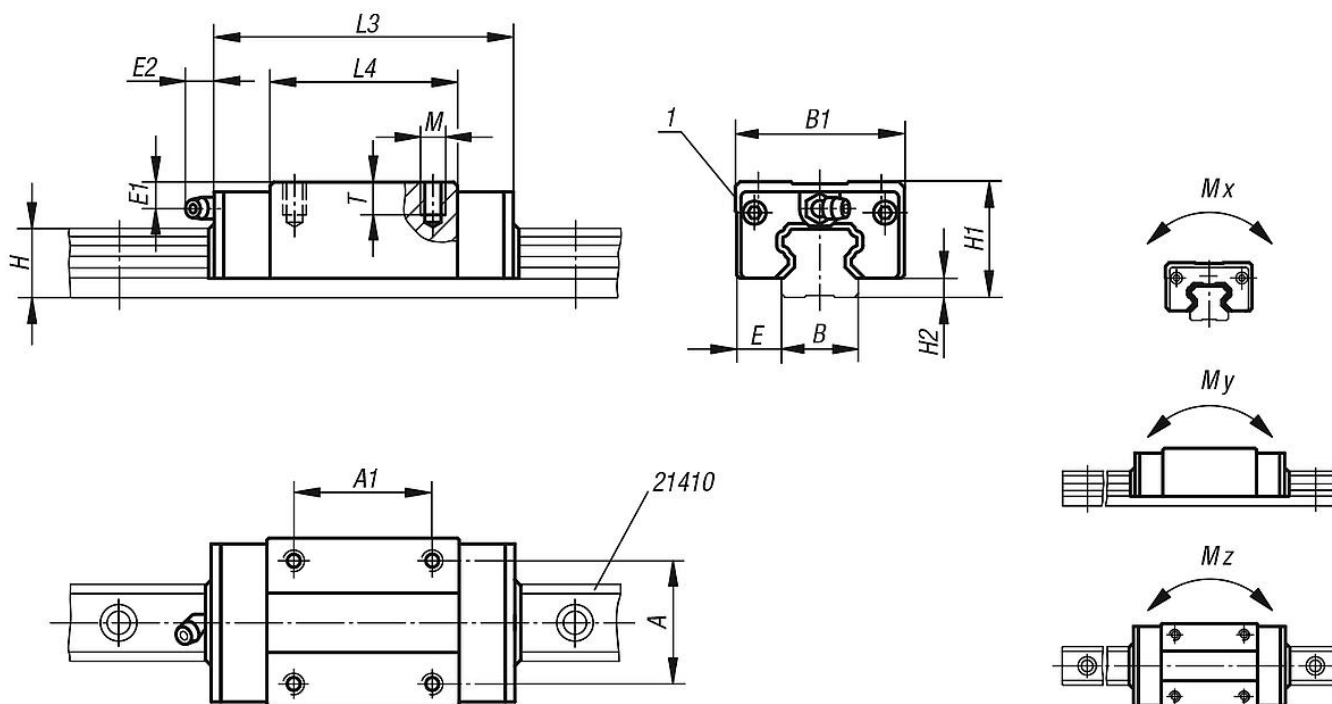
On request:

Various precision and preload classes.

Drawing reference:

1) ground ref. edge

Drawings



Overview of items

Order No.	Version	Size	Mx Nm	My Nm	Mz Nm	Dynamic load rating N	Static load rating N	Lubrication hole	A	A1	B	B1	E	E1	E2	H	H1	H2	L3	L4	M	T
21400-15106601	standard	15	70	50	50	6850	12700	∅3	26	26	15	34	9,5	8,3	5	14	28	4,6	66	40	M4	6,4
21400-20107801	standard	20	220	180	180	14500	25600	M6x1	32	36	20	44	12	7	13,5	18	30	5	77,8	48,8	M5	8

Overview of items

Order No.	Version	Size	Mx Nm	My Nm	Mz Nm	Dynamic load rating N	Static load rating N	Lubrication hole	A	A1	B	B1	E	E1	E2	H	H1	H2	L3	L4	M	T
21400-25108801	standard	25	360	320	310	21400	40000	M6x1	35	35	23	48	12,5	11	13,5	22	40	7	88	57	M6	9,6
21400-30110901	standard	30	600	500	490	29800	54900	M6x1	40	40	28	60	16	10	13	26	45	9	109	72	M8	12,8
21400-25211001	long	25	504	448	434	29960	56000	M6x1	35	50	23	48	12,5	11	13,5	22	40	7	110,1	79,1	M6	9,6
21400-30213101	long	30	785	650	650	39000	71900	M6x1	40	60	28	60	16	10	13	26	45	9	131,3	94,3	M8	12,8