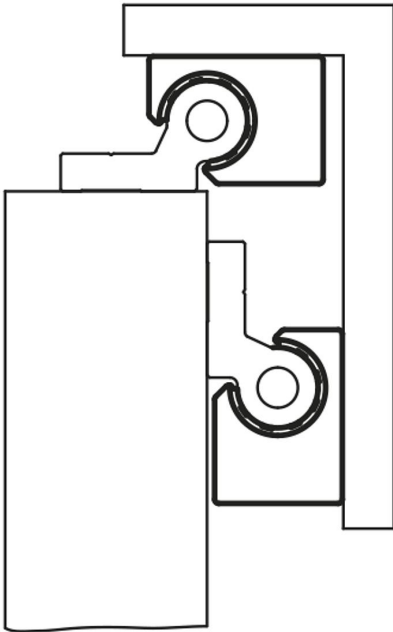


Item description/product images

**Description****Material:**

Aluminium.

Version:

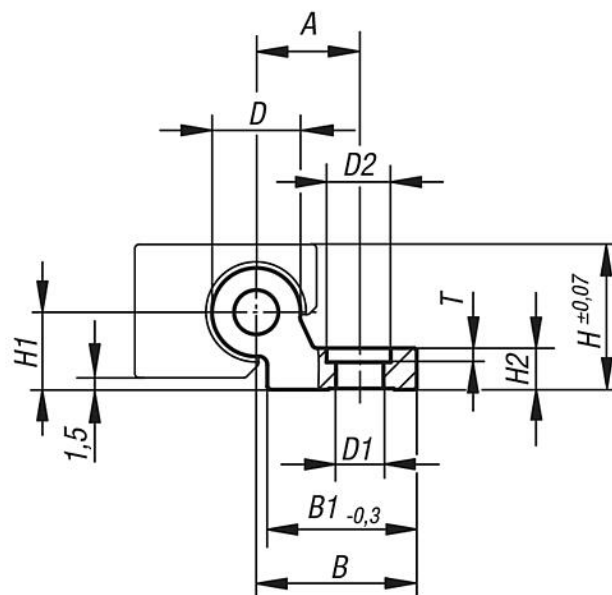
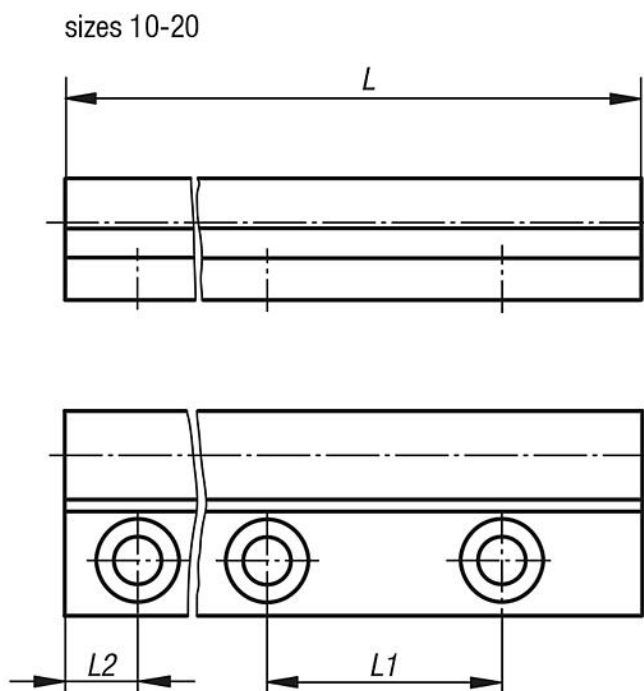
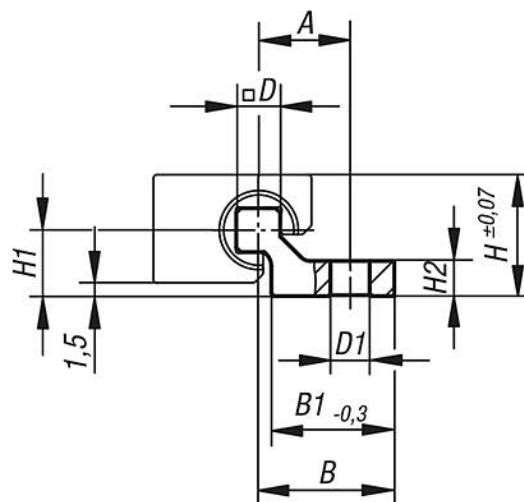
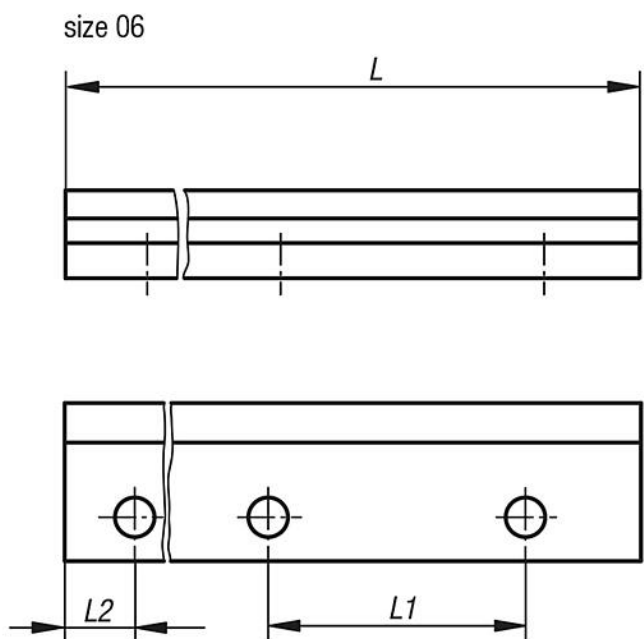
Hard anodised, layer thickness 50 µm.

Hardness 500 HV

Note:

Single guide rails enable highest flexibility during construction and easy assembly. Can be used to compensate for height differences in height. Hard anodised aluminium is used as rail material and ensures best friction and wear results. Robust and dirt resistant for transporting heavy loads safely and maintenance-free.

Drawings



Overview of items

Order No.	Size	L max.	L2	A	B	B1	D	D1	D2	H	H1	H2	L1	T
21240-10630X3000	6	3000	30	10,5	15,5	14	5	4,5	-	14	7,5	4	60	-
21240-11030X4000	10	4000	20	17	27	27	10	6,6	-	18	9	5,5	120	-
21240-11630X4000	16	4000	20	19	29	27	16	9	15	27	14	7,5	120	4
21240-12030X4000	20	4000	20	21	31	27	20	9	15	36	20	9,5	120	5

Overview of items

Order No.	Version 1	Size	L max.	L L2	L2 min.	L2 max.	A	B	B1	D	D1	D2	H	H1	H2	L1	T
21240-106**X*	L2 and L customer specific	6	3000	* **	20	49,5	10,5	15,5	14	5	4,5	-	14	7,5	4	60	-
21240-110**X*	L2 and L customer specific	10	4000	* **	20	79,5	17	27	27	10	6,6	-	18	9	5,5	120	-
21240-116**X*	L2 and L customer specific	16	4000	* **	20	79,5	19	29	27	16	9	15	27	14	7,5	120	4
21240-120**X*	L2 and L customer specific	20	4000	* **	20	79,5	21	31	27	20	9	15	36	20	9,5	120	5