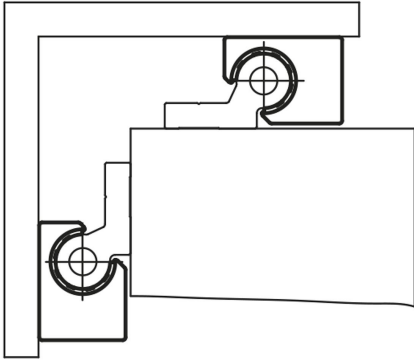
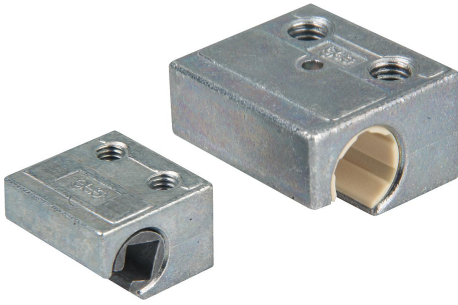


Item description/product images

**Description****Material:**

Die-cast zinc.

Bearing material iglidur® J.

Version:

trivalent passivated.

Note:

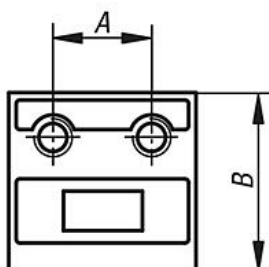
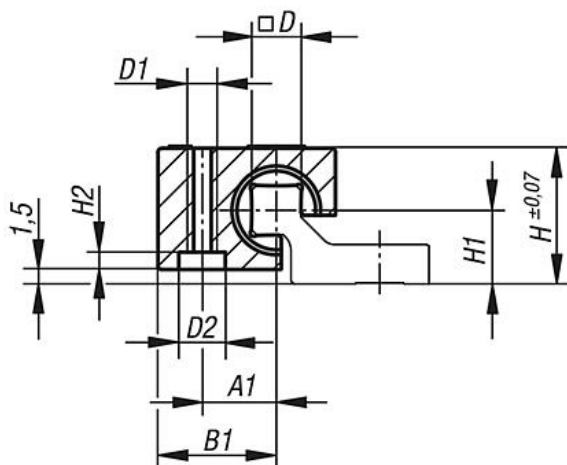
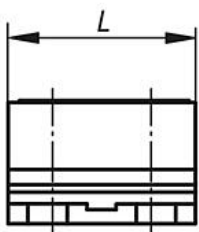
DryLin® W slide carriages are maintenance-free and corrosion resistant. Lacking the need of lubrication makes the system highly dirt resistant. Low friction coefficient in dry running and very quiet. Suitable for single or double rails. Speeds up to 15 m/s. Applicable temperature -40 °C to +90 °C.

Accessory:

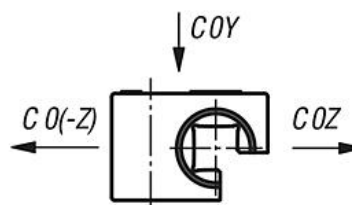
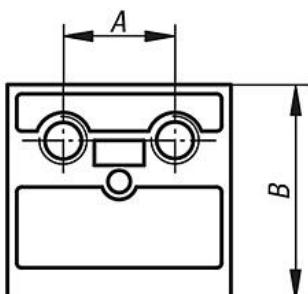
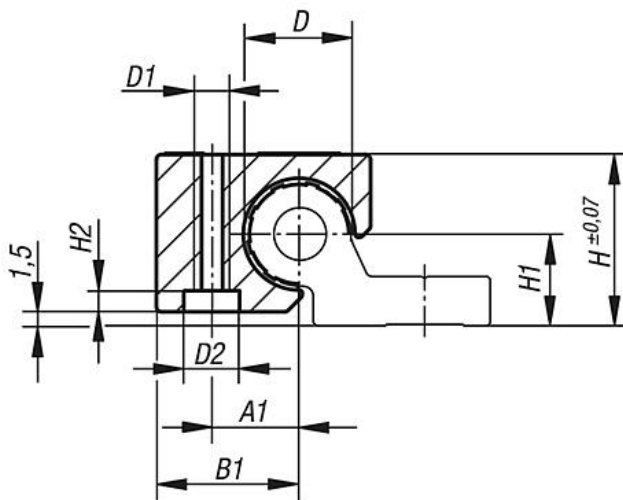
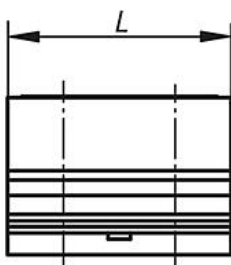
Guide rails 21240.

Drawings

size 06



sizes 10-20



Overview of items

| Order No. | Version 2 | Size | A | A1 | B | B1 | D | D1 | D2 | H | H1 | H2 | L | COY kN | COZ kN | CO(-Z) kN |
|------------|------------------------|------|----|-----|----|----|---|----|----|----|-----|----|----|-----------|-----------|--------------|
| 21240-0600 | standard fixed bearing | 6 | 10 | 7,5 | 18 | 12 | 5 | M4 | 7 | 14 | 7,5 | 2 | 19 | 0,42 | 0,42 | 0,14 |

Overview of items

| Order No. | Version 2 | Size | A | A1 | B | B1 | D | D1 | D2 | H | H1 | H2 | L | C0Y kN | C0Z kN | C0(-Z) kN |
|------------|-------------------------|------|----|-----|------|------|----|----|------|----|-----|-----|----|-----------|-----------|--------------|
| 21240-0620 | floating bearing y axis | 6 | 10 | 7,5 | 18 | 12 | 5 | M4 | 7 | 14 | 7,5 | 2 | 19 | 0,42 | 0,42 | 0,14 |
| 21240-0630 | floating bearing z axis | 6 | 10 | 7,5 | 18 | 12 | 5 | M4 | 7 | 14 | 7,5 | 2 | 19 | 0,42 | 0,42 | 0,14 |
| 21240-1000 | standard fixed bearing | 10 | 16 | 10 | 26 | 16,5 | 10 | M6 | 9,5 | 18 | 9 | 3,5 | 29 | 1,2 | 1,2 | 0,25 |
| 21240-1020 | floating bearing | 10 | 16 | 10 | 26 | 16,5 | 10 | M6 | 9,5 | 18 | 9 | 3,5 | 29 | 1,2 | 1,2 | 0,25 |
| 21240-1600 | standard fixed bearing | 16 | 18 | 14 | 34,5 | 23 | 16 | M8 | 11,5 | 27 | 14 | 4 | 36 | 2,1 | 2,1 | 0,4 |
| 21240-2000 | standard fixed bearing | 20 | 27 | 17 | 42,5 | 26 | 20 | M8 | 11,5 | 36 | 20 | 4 | 45 | 3,2 | 3,2 | 0,5 |
| 21240-2020 | floating bearing | 20 | 27 | 17 | 42,5 | 26 | 20 | M8 | 11,5 | 36 | 20 | 4 | 45 | 3,2 | 3,2 | 0,5 |