

Item description/product images

**Description****Material:**

Outer housing aluminium.
Carriage and bearing steel.

Version:

Outer housing black anodised.
Carriage and bearings ground.
Internal parts hardened.

Note:

Roller slides run very lightly and can be adjusted with the set screw "N".
The fastening holes "K" can be used as tapped holes or through holes.
The stated permissible loads (F) are for a lifespan of 1 million travel cycles.
The torque values apply only to centred carriages.

F = permissible loading for dynamic and static loads.

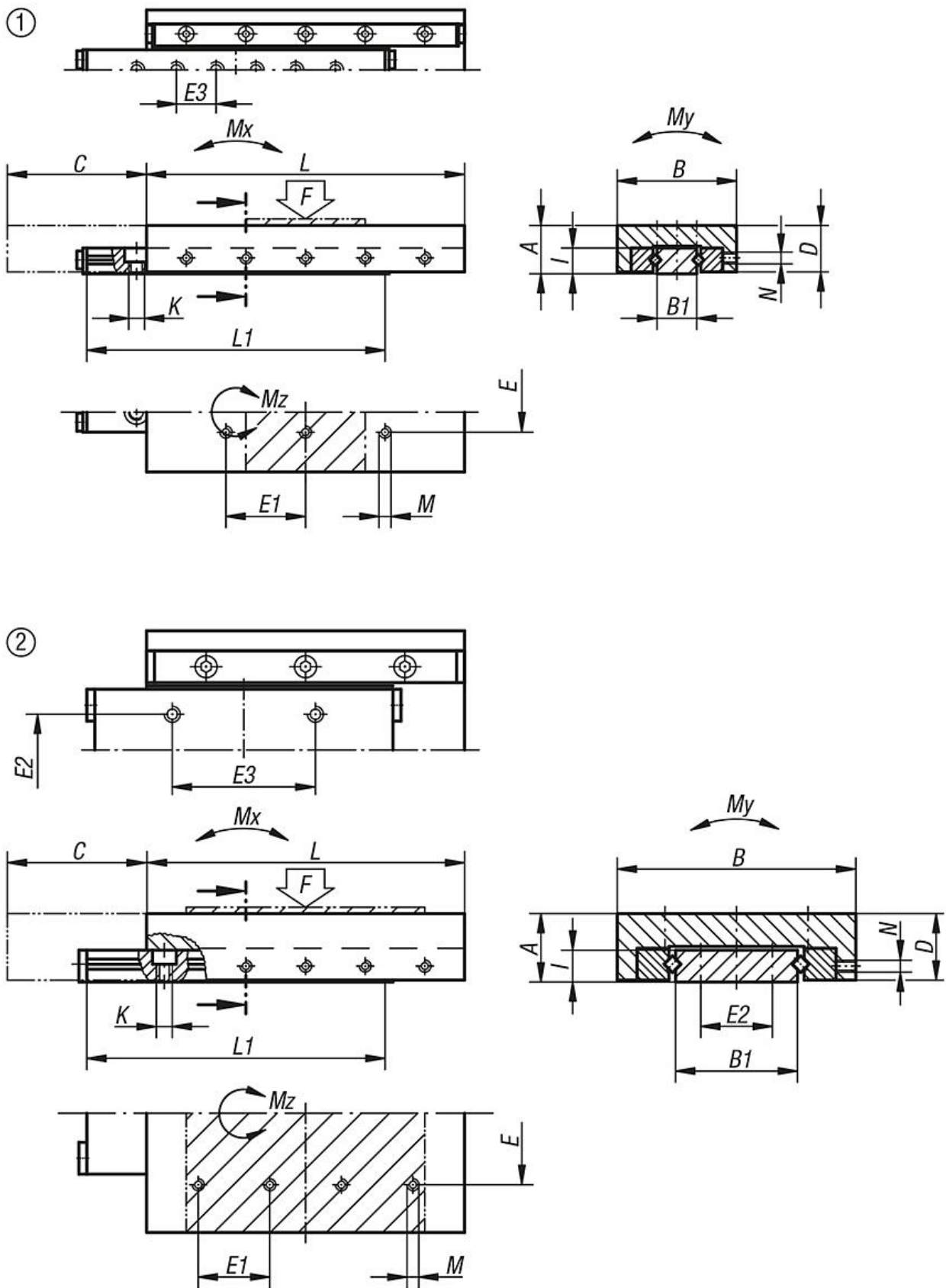
TI = number of fastening holes E3/K inside

TA = number of fastening holes E1/M outside

GI = number of hole rows internal

K = thread M4 countersunk for M3 DIN 974-1

Drawings



Overview of items

Order No.	Size	A	B	B1	C	D	E	E1	E2	E3	TI	TA	GI	I	K	L	L1	M	N	F N	Mx Nm	My Nm	Mz Nm
21035-030035	1	12	30	10	12	11,7	10	10	-	10	2	6	1	6,3	M4	35	30	M3	M3	168	1	1,9	2
21035-030050	1	12	30	10	18	11,7	10	10	-	10	2	6	1	6,3	M4	50	45	M3	M3	245	3,5	2,6	5,2
21035-030065	1	12	30	10	24	11,7	10	20	-	10	4	6	1	6,3	M4	65	60	M3	M3	361	4,7	3,9	7,9
21035-0300501	1	12	30	10	34	11,7	10	10	-	10	2	6	1	6,3	M4	50	45	M3	M3	131	2,2	1,9	3,3
21035-0300651	1	12	30	10	48	11,7	10	20	-	10	4	6	1	6,3	M4	65	60	M3	M3	161	3,5	2,6	5,2
21035-030080	1	12	30	10	30	11,7	10	20	-	10	6	6	1	6,3	M4	80	75	M3	M3	432	9,1	4,5	13,3
21035-030095	1	12	30	10	40	11,7	10	20	-	10	8	10	1	6,3	M4	95	90	M3	M3	466	11,6	5,1	16,9
21035-040055	1	15	40	14,4	20	14,7	20	20	-	20	2	6	1	8,3	M4	55	50	M3	M3	231	4,6	4,6	6,8
21035-040080	1	15	40	14,4	30	14,7	20	20	-	20	2	6	1	8,3	M4	80	75	M3	M3	487	10,3	7,6	15,3
21035-040105	1	15	40	14,4	40	14,7	20	20	-	20	4	10	1	8,3	M4	105	100	M3	M3	689	18,6	10,6	27,3
21035-040155	1	15	40	14,4	120	14,7	20	20	-	20	6	14	1	8,3	M4	155	150	M3	M3	489	23,7	12,2	34,8
21035-060055	2	17	60	30,6	20	16,7	36	18	18	18	4	4	2	8,3	M4	55	50	M3	M4	294	4,6	7	6,9
21035-060080	2	17	60	30,6	30	16,7	36	18	18	36	4	8	2	8,3	M4	80	75	M3	M4	492	10,4	11,6	15,5
21035-060105	2	17	60	30,6	40	16,7	36	18	18	36	4	12	2	8,3	M4	105	100	M3	M4	697	18,8	16,2	27,6