

Item description/product images



Description

Material:

GJL 250

Version:

Bright, ground.

Note:

These precision dovetail slides find use in machine and fixture construction, metrology, optical instruments and fine mechanics. The middle set screw "N" can be replaced by clamping lever Art. No. 06460.

The stated permissible load ratings (F) are designed for dynamic loads with a lifespan of 1 million travel cycles.

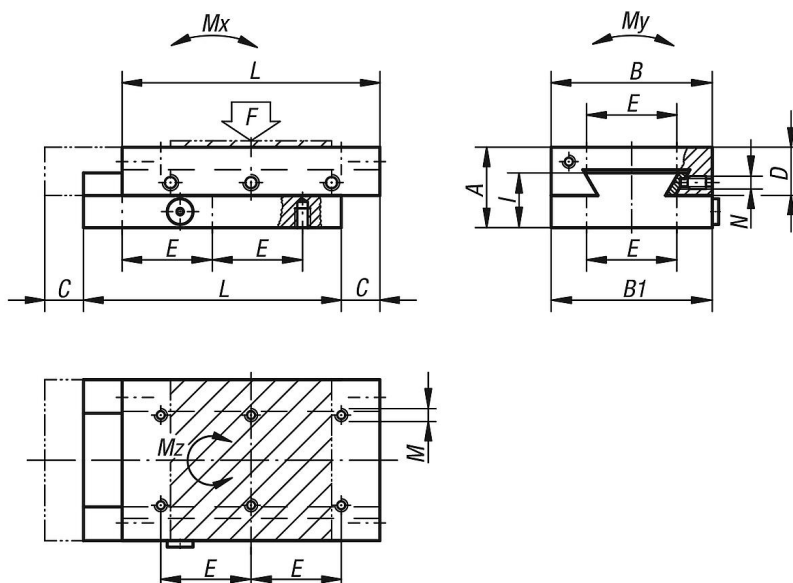
For static loads 10 times the F value is permitted.

The torque values apply only for centred carriages.

TI = number of fastening holes E/M inside

TA = number of fastening holes E/M outside

Drawings



Overview of items

Order No.	A	B	B1	C	D	E	TI	TA	I	L	M	N	F N	Mx Nm	My Nm	Mz Nm
21030-050080	25	50	49,5	15	15	28	6	6	17,6	80	M4	M5	72	4	6	5
21030-050105	25	50	49,5	20	15	28	8	8	17,6	105	M4	M5	95	7	7	8
21030-050130	25	50	49,5	25	15	28	10	10	17,6	130	M4	M5	117	10	9	12
21030-075105	32	75	74,5	20	19,5	62	4	4	22,5	105	M5	M5	128	9	15	10
21030-075130	32	75	74,5	25	19,5	62	4	4	22,5	130	M5	M5	159	14	18	15
21030-100110	40	100	99,5	20	24	86	4	4	27,5	110	M6	M6	156	11	26	12
21030-100135	40	100	99,5	25	24	86	4	4	27,5	135	M6	M6	192	17	32	19
21030-100160	40	100	99,5	30	24	86	4	4	27,5	160	M6	M6	227	24	37	26

