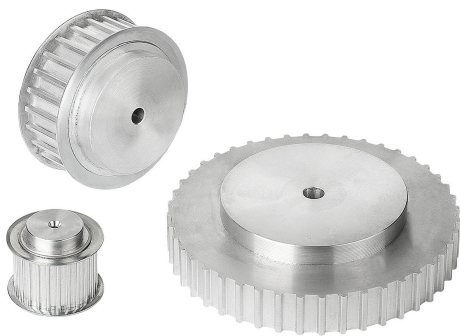


Item description/product images



Description

Material:

Aluminium.
Rim flanges, steel.

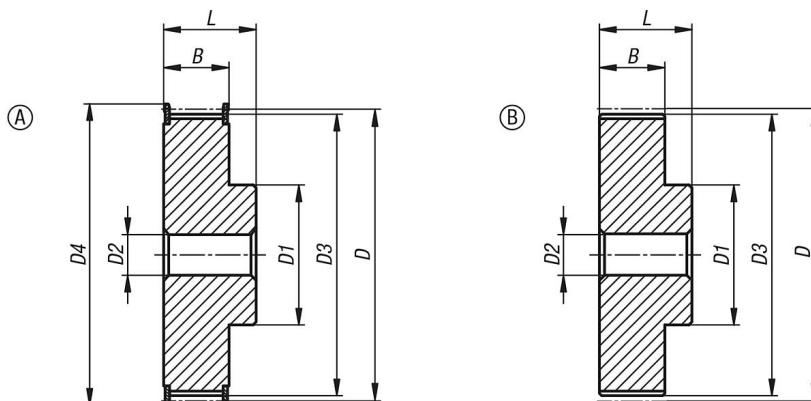
Version:

Aluminium bright.
Rim flanges, electro zinc-plated.

Note:

Standard AT-profile with metric pitch (trapezoidal toothing). At least one toothed belt pulley must have a rim flange. The toothed belt pulleys have a centre bore or are pre-drilled (this can vary due to production methods). For this reason, the dimension D2 max. given in the table is the maximum diameter of the bore that the toothed belt pulleys are supplied with. This pilot hole/centre bore can be customised with a reamed hole, reamed hole with keyway or a tapped hole by the customer. Alternatively, bushes can be fitted by the customer to reduce the diameter. To reduce weight, the toothed belt pulleys may have a recess on one face.

Drawings



Overview of items

Order No.	Profile	belt width	Form	No. of teeth	D	D1	D2 max.	D3	D4	B	L
22003-101615	AT10	16	A	15	47,75	32	18	45,9	51	21	31
22003-101616	AT10	16	A	16	50,93	35	20	49,05	54	21	31
22003-101618	AT10	16	A	18	57,29	40	22	55,45	60	21	31
22003-101619	AT10	16	A	19	60,48	44	22	58,6	66	21	31
22003-101620	AT10	16	A	20	63,66	46	24	61,8	66	21	31
22003-101622	AT10	16	A	22	70,03	52	28	68,15	75	21	31
22003-101624	AT10	16	A	24	76,39	58	30	74,55	83	21	31
22003-101625	AT10	16	A	25	79,58	60	30	77,7	83	21	31
22003-101626	AT10	16	A	26	82,76	60	30	80,9	87	21	31
22003-101627	AT10	16	A	27	85,95	60	30	84,1	91	21	31
22003-101628	AT10	16	A	28	89,13	60	30	87,25	93	21	31
22003-101630	AT10	16	A	30	95,49	60	30	93,65	97	21	31
22003-101632	AT10	16	A	32	101,86	65	32	100	106	21	31
22003-101636	AT10	16	A	36	114,59	70	35	112,75	119	21	31
22003-101640	AT10	16	A	40	127,32	80	40	125,45	131	21	31
22003-101644	AT10	16	B	44	140,06	88	46	138,2	-	21	31
22003-101648	AT10	16	B	48	152,78	95	48	150,95	-	21	31
22003-101660	AT10	16	B	60	190,98	110	60	189,1	-	21	31
22003-102515	AT10	25	A	15	47,75	32	18	45,9	51	30	40

Overview of items

Order No.	Profile	belt width	Form	No. of teeth	D	D1	D2 max.	D3	D4	B	L
22003-102516	AT10	25	A	16	50,93	35	20	49,05	54	30	40
22003-102518	AT10	25	A	18	57,29	40	22	55,45	60	30	40
22003-102519	AT10	25	A	19	60,48	44	22	58,6	66	30	40
22003-102520	AT10	25	A	20	63,66	46	24	61,8	66	30	40
22003-102522	AT10	25	A	22	70,03	52	28	68,15	75	30	40
22003-102524	AT10	25	A	24	76,39	58	30	74,55	83	30	40
22003-102525	AT10	25	A	25	79,58	60	30	77,7	83	30	40
22003-102526	AT10	25	A	26	82,76	60	30	80,9	87	30	40
22003-102527	AT10	25	A	27	85,95	60	30	84,1	91	30	40
22003-102528	AT10	25	A	28	89,13	60	30	87,25	93	30	40
22003-102530	AT10	25	A	30	95,49	60	30	93,65	97	30	40
22003-102532	AT10	25	A	32	101,86	65	32	100	106	30	40
22003-102536	AT10	25	A	36	114,59	70	35	112,75	119	30	40
22003-102540	AT10	25	A	40	127,32	80	40	125,45	131	30	40
22003-102544	AT10	25	B	44	140,06	88	46	138,2	-	30	40
22003-102548	AT10	25	B	48	152,78	95	48	150,95	-	30	40
22003-102560	AT10	25	B	60	190,98	110	60	189,1	-	30	40
22003-103218	AT10	32	A	18	57,29	40	22	55,45	60	37	47
22003-103219	AT10	32	A	19	60,48	44	22	58,6	66	37	47
22003-103220	AT10	32	A	20	63,66	46	24	61,8	66	37	47
22003-103222	AT10	32	A	22	70,03	52	28	68,15	75	37	47
22003-103224	AT10	32	A	24	76,39	58	30	74,55	83	37	47
22003-103225	AT10	32	A	25	79,58	60	30	77,7	83	37	47
22003-103226	AT10	32	A	26	82,76	60	30	80,9	87	37	47
22003-103227	AT10	32	A	27	85,95	60	30	84,1	91	37	47
22003-103228	AT10	32	A	28	89,13	60	30	87,25	93	37	47
22003-103230	AT10	32	A	30	95,49	60	30	93,65	97	37	47
22003-103232	AT10	32	A	32	101,86	65	32	100	106	37	47
22003-103236	AT10	32	A	36	114,59	70	35	112,75	119	37	47
22003-103240	AT10	32	A	40	127,32	80	40	125,45	131	37	47
22003-103244	AT10	32	B	44	140,06	88	46	138,2	-	37	47
22003-103248	AT10	32	B	48	152,78	95	48	150,95	-	37	47
22003-103260	AT10	32	B	60	190,98	110	60	189,1	-	37	47