

## Item description/product images

**Description****Material:**

Die-cast zinc.  
Hinge pin stainless steel.  
Washer thermoplastic.

**Version:**

Hinge black powder-coated.  
Pin bright.  
Washer black.

**Note:**

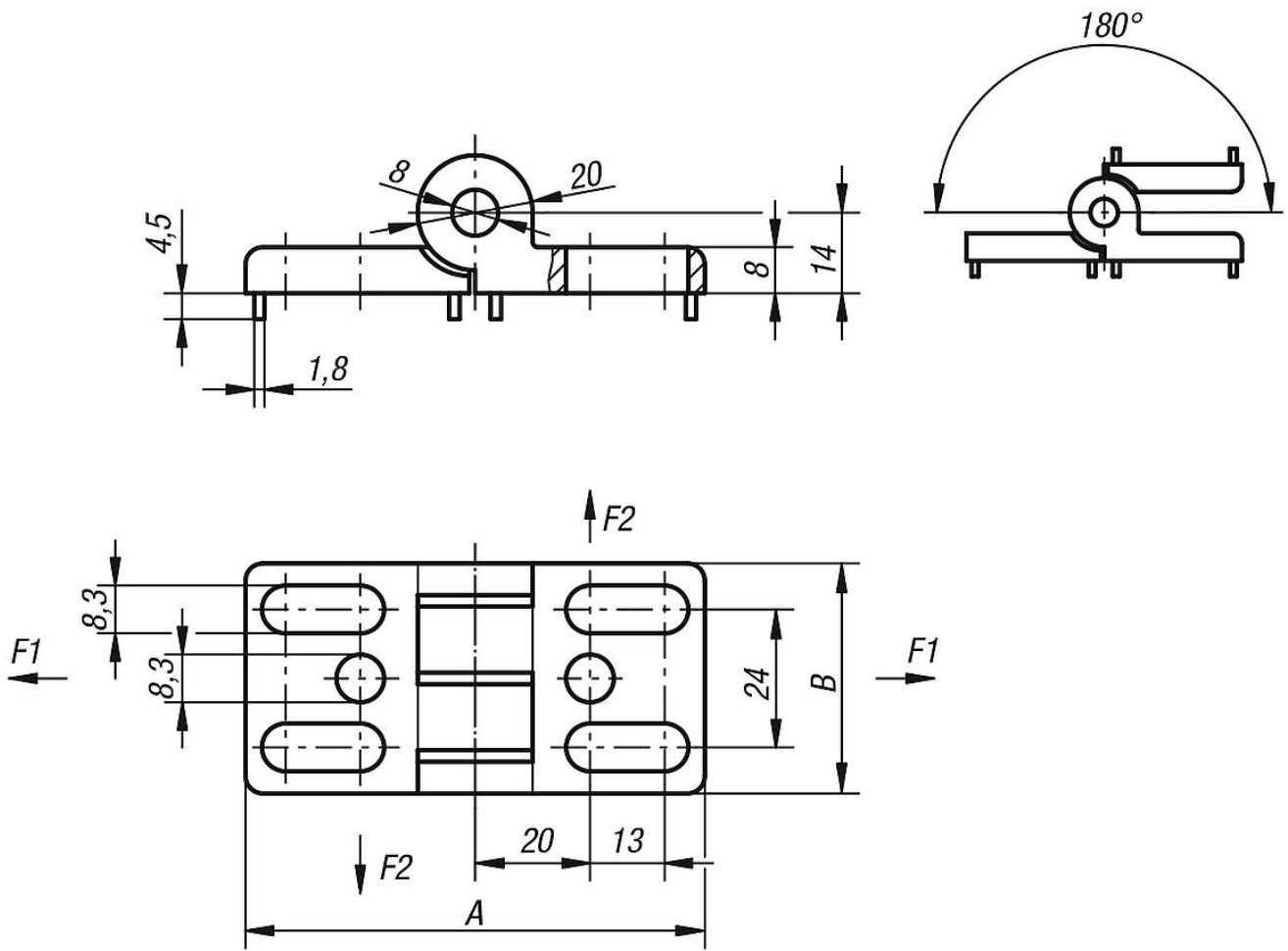
Elongated holes enable easy horizontal adjustment.

The loading values given for the hinges are non-binding reference values without consideration of safety factors and exclude any liability. The values given are for information purposes only and do not constitute a legally binding assurance of properties.

The load values have been determined under laboratory conditions. Each user must determine individually whether the hinge is suitable for the respective application.

Different materials onto which the hinges are installed and the type of mounting, weather conditions and wear can influence the determined values.

Drawings



Overview of items

Order No.	A	B	Guide tabs for slot	F1 N	F2 N
27865-402020	80	40	-	1200	500
27865-40202008	80	40	8	1200	500
27865-40202010	80	40	10	1200	500