

Item description/product images

**Description****Material:**

Plate die-cast zinc or stainless steel 1.4305.
Damper plate PUR elastomere (Sylomer V12).

Version:

Die-cast zinc plate, black powder-coated.
Stainless steel plate, bright.
Damper plate, grey, glued in, anti-slip.
Temp. range -30 °C to +70 °C.

Note:

The load rating given in the table is a recommendation of the permanent static load up to which the absorption unit should be used. This static load corresponds to a pressure per area of 0.4 N/mm², at which the material achieves its optimum absorption properties. Here it is taken into account that under dynamic demands an additional load, up to 0.6 N/mm² may occur. The damper plate absorbs vibrations and prevents the swivel foot slipping. Swivel feet consist of a plate and a threaded spindle or ball joint.

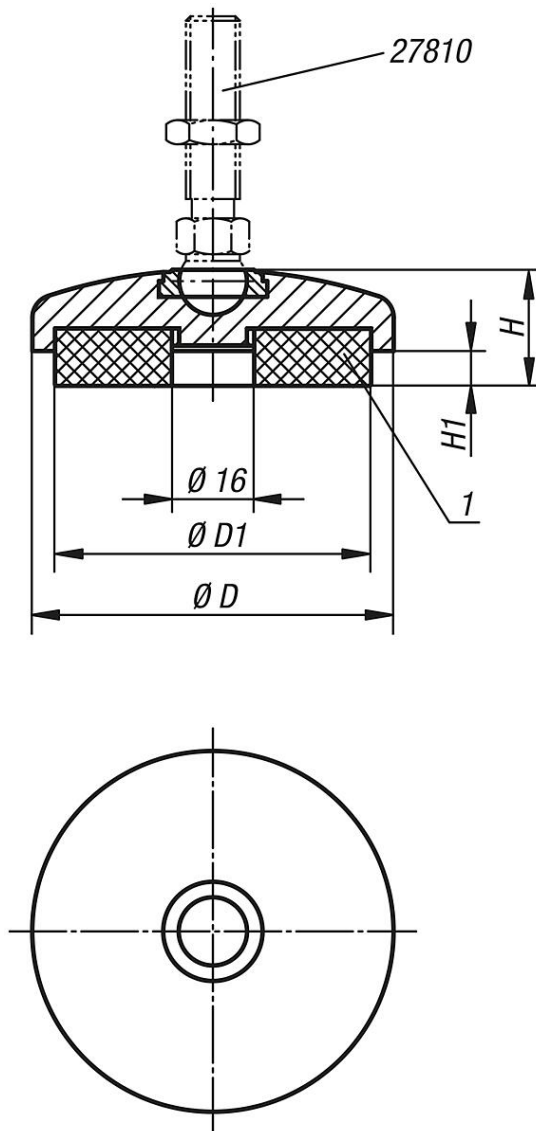
For matching threaded spindles see 27810.

For matching ball joints see 27811.

Drawing reference:

1) damper plate

Drawings



Overview of items

Order No.	Main material	D	D1	H	H1 by 0 / 0.4 / 0.6 N/mm ²	Load rating max. kN
27804-20401	zinc	40	30,5	25	7 / 5,9 / 4,8	0,062
27804-20501	zinc	50	40,5	25	7 / 5,9 / 4,8	0,212
27804-20601	zinc	60	50	25	7 / 5,9 / 4,8	0,433
27804-20801	zinc	80	68	25	7 / 5,9 / 4,8	0,614
27804-20402	stainless steel	40	30,5	25	7 / 5,8 / 4,9	0,212
27804-20502	stainless steel	50	40,5	25	7 / 5,8 / 4,9	0,435
27804-20602	stainless steel	60	50	25	7 / 5,8 / 4,9	0,705
27804-20802	stainless steel	80	68	25	7 / 5,8 / 4,9	1,372