

## Item description/product images

**Description****Material:**

Plate die-cast zinc.

Anti-slip plate thermoplastic elastomer.

**Version:**

Plate black powder-coated.

**Note:**

Swivel feet consist of a plate and a threaded spindle or ball joint. Any plate can be combined with any threaded spindle or ball joint. The anti-slip plate absorbs vibrations and prevents the swivel foot slipping.

For matching threaded spindles see 27810.

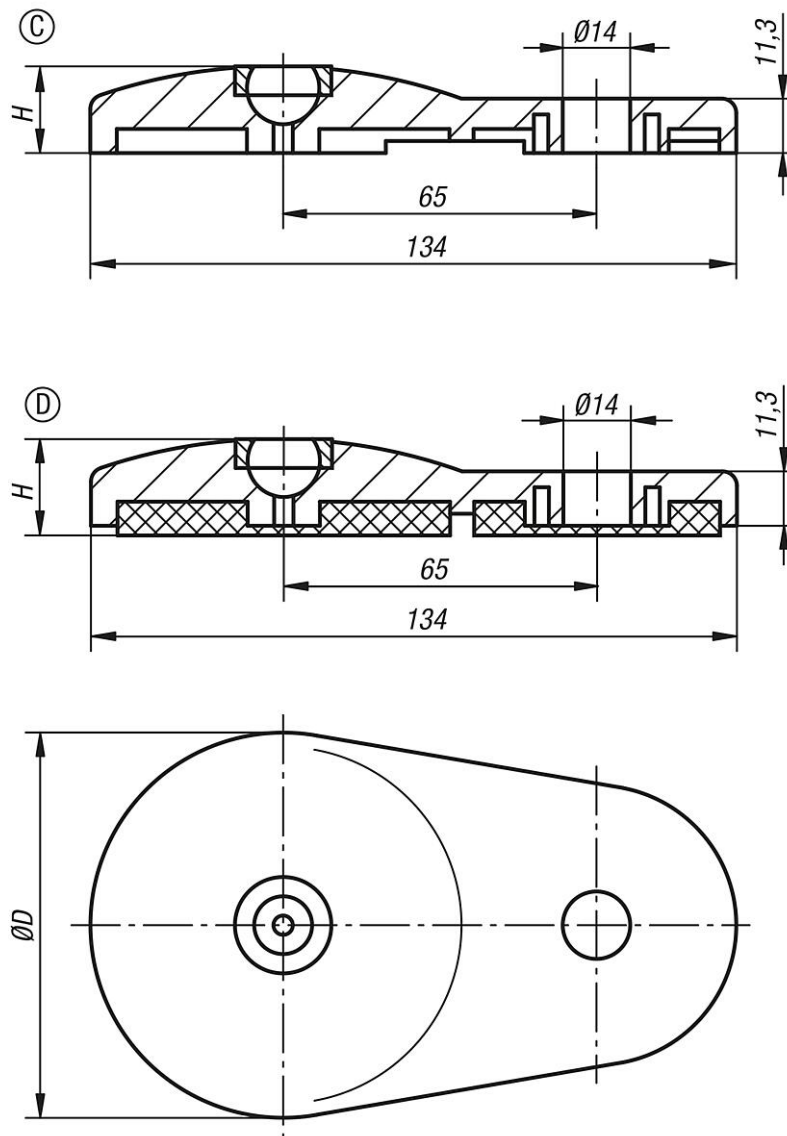
For matching ball joints see 27811.

**Drawing reference:**

Form C with screw-on hole, without anti-slip plate

Form D with screw-on hole, with anti-slip plate

Drawings



Overview of items

Order No.	Form	D	H	Load rating max. kN
27802-30801	C	80	18	30
27802-40801	D	80	20	30