

Item description/product images



Description

Material:

Plates, thermoplastic, glass bead reinforced.
Anti-slip plate thermoplastic elastomer.

Version:

Black.

Note:

Swivel feet consist of a plate and a threaded spindle or ball joint. Any plate can be combined with any threaded spindle or ball joint. The anti-slip plate absorbs vibrations and prevents the swivel foot slipping.

For matching threaded spindles see 27810.

For matching ball joints see 27811.

Drawing reference:

Form A without screw-on hole, without anti-slip plate

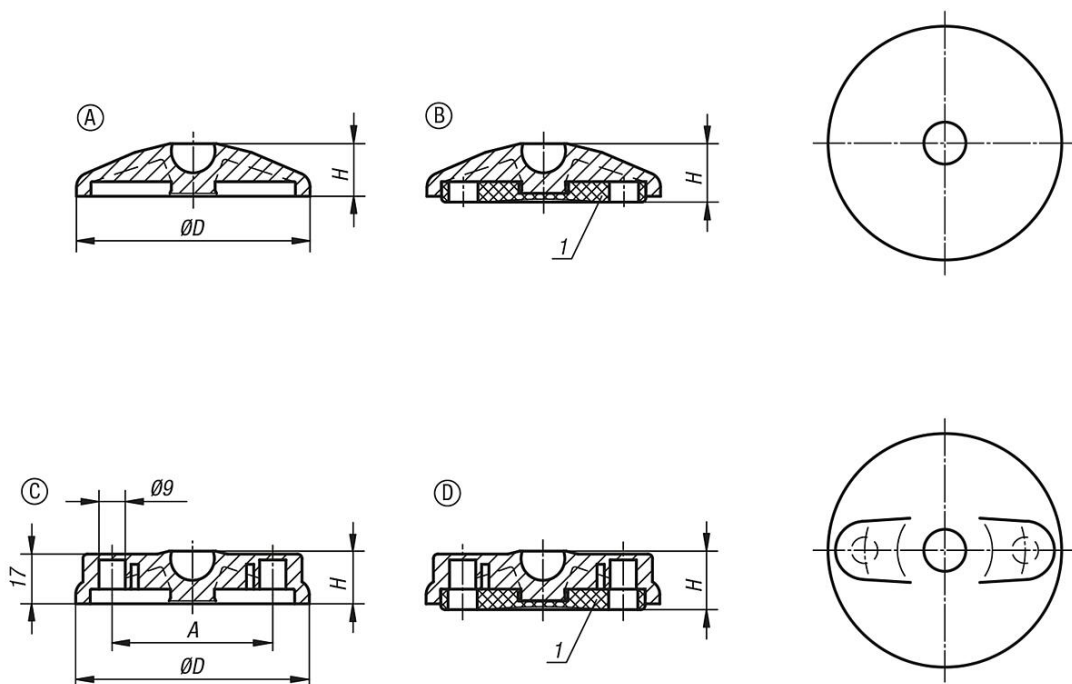
Form B without screw-on hole, with anti-slip plate

Form C with screw-on hole (closed), without anti-slip plate

Form D with screw-on hole (closed), with anti-slip plate

1) From plate Ø 80

Drawings



Overview of items

Order No. Form A	Order No. Form B	Size	D	H	Load rating max. kN
27800-1030	27800-2030	30	29	18/20	5
27800-1040	27800-2040	40	39	18/20	9
27800-1045	27800-2045	45	44	18/20	9
27800-1050	27800-2050	50	49	18/20	9
27800-1060	27800-2060	60	59	18/20	9

Overview of items

Order No. Form A	Order No. Form B	Size	D	H	Load rating max. kN
27800-1080	27800-2080	80	79	18/20	9
27800-1100	27800-2100	100	99	18/20	9

Order No. Form C	Order No. Form D	Size	D	A	H	Load rating max. kN
27800-3080	27800-4080	80	79	55	18/20	9
27800-3100	27800-4100	100	99	74	18/20	9
27800-3120	27800-4120	120	119	94	18/20	9