

## Item description/product images



## Description

**Material:**

Steel 1.7225.

Stainless steel 1.4305.

**Version:**

Steel version trivalent blue passivated.

Stainless steel version bright.

**Note:**

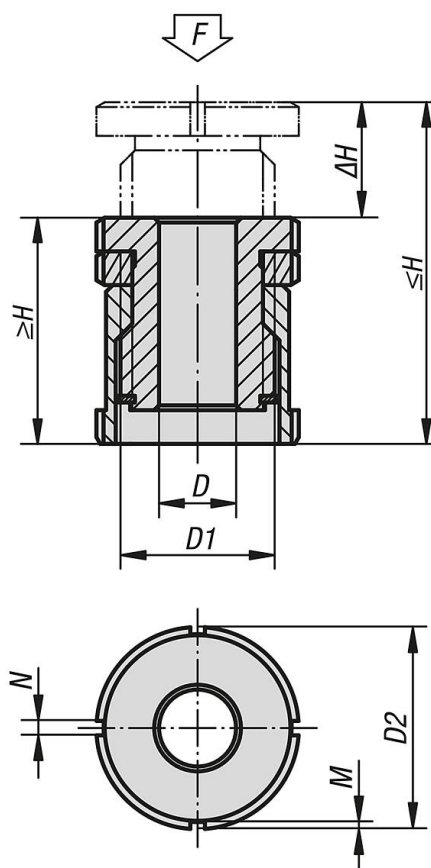
Levelling sets are used for mounting, levelling and aligning motors, aggregates, drive units and assembly lines. The locknut secures a prescribed setting. Other sizes available on request.

The static additional load  $F_1$  is effective after deducting the tensioning force (screw 8.8,  $\mu_m = 0.125$ ) from the total load  $F$ .

**Accessory:**

96650 Hook wrench with lug, DIN 1810A enhanced.

## Drawings



## Overview of items

Order No.	Main material	D	for screw	D1	D2	H min.	H max.	ΔH	N	M	F kN	F1 kN
27701-01004	QT steel	4,5	M4	M15x1	25	33	43	10	4	2	40	36
27701-01005	QT steel	5,5	M5	M15x1	25	33	43	10	4	2	40	33,4
27701-01006	QT steel	6,6	M6	M15x1	25	33	43	10	4	2	40	30,7
27701-01406	QT steel	6,6	M6	M20x1	32	41	55	14	4	2	65	55,7
27701-01408	QT steel	9	M8	M20x1	32	41	55	14	4	2	65	48
27701-01410	QT steel	11	M10	M20x1	32	41	55	14	4	2	65	37,9
27701-01810	QT steel	11	M10	M30x1,5	45	49	67	18	5	2	120	92,9
27701-01812	QT steel	13,5	M12	M30x1,5	45	49	67	18	5	2	120	80,4
27701-01816	QT steel	17,5	M16	M30x1,5	45	49	67	18	5	2	120	45,5
27701-02316	QT steel	17,5	M16	M40x1,5	58	63	86	23	6	2,5	210	136
27701-02320	QT steel	22	M20	M40x1,5	58	63	86	23	6	2,5	210	90
27701-02324	QT steel	26	M24	M40x1,5	58	63	86	23	6	2,5	210	37
27701-02920	QT steel	22	M20	M50x1,5	70	77	106	29	6	2,5	330	210
27701-02924	QT steel	26	M24	M50x1,5	70	77	106	29	6	2,5	330	157
27701-02930	QT steel	33	M30	M50x1,5	70	77	106	29	6	2,5	330	53
27701-010041	stainless steel	4,5	M4	M15x1	25	33	43	10	4	2	27,1	24,14
27701-010051	stainless steel	5,5	M5	M15x1	25	33	43	10	4	2	27,1	22,24
27701-010061	stainless steel	6,6	M6	M15x1	25	33	43	10	4	2	27,1	20,26
27701-014061	stainless steel	6,6	M6	M20x1	32	41	55	14	4	2	43,4	36,56
27701-014081	stainless steel	9	M8	M20x1	32	41	55	14	4	2	43,4	30,86
27701-014101	stainless steel	11	M10	M20x1	32	41	55	14	4	2	43,4	23,41
27701-018101	stainless steel	11	M10	M30x1,5	45	49	67	18	5	2	84	64,01
27701-018121	stainless steel	13,5	M12	M30x1,5	45	49	67	18	5	2	84	54,82
27701-018161	stainless steel	17,5	M16	M30x1,5	45	49	67	18	5	2	84	28,9
27701-023161	stainless steel	17,5	M16	M40x1,5	58	63	86	23	6	2,5	148	92,9
27701-023201	stainless steel	22	M20	M40x1,5	58	63	86	23	6	2,5	148	59,08
27701-023241	stainless steel	26	M24	M40x1,5	58	63	86	23	6	2,5	148	20,3
27701-029201	stainless steel	22	M20	M50x1,5	70	77	106	29	6	2,5	225	136,08
27701-029241	stainless steel	26	M24	M50x1,5	70	77	106	29	6	2,5	225	97,3
27701-029301	stainless steel	33	M30	M50x1,5	70	77	106	29	6	2,5	225	20,6