

Item description/product images



Description

Material:

Thermoplastic polyamide 66. Ferrite permanent magnet.

Version:

Black. Flat seal asbestos-free

Note:

The magnetic effect of the screw plug attracts iron particles in the oil. Screwing the plug into the drain outlet diminishes possible damage to mechanical components.

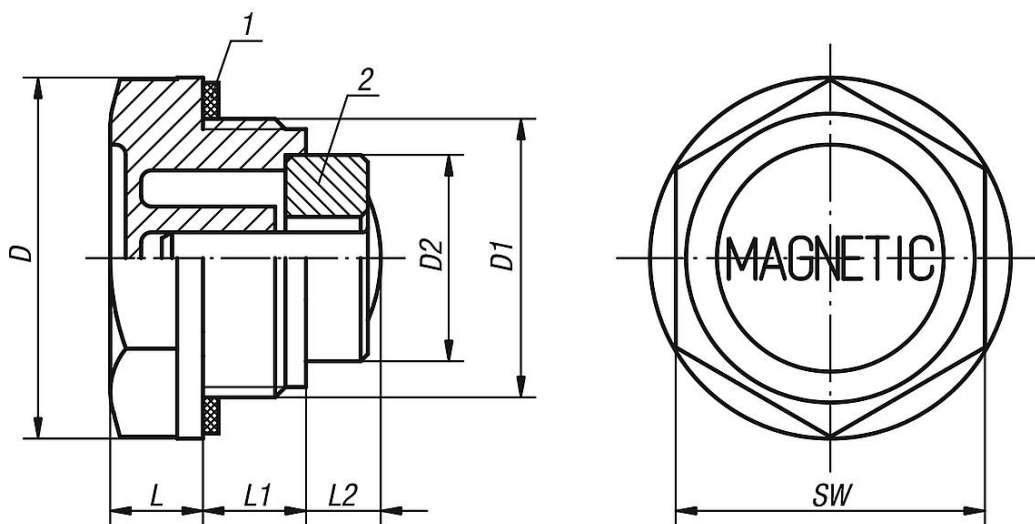
Temperature range:

Temperature resistant with oil up to 100°C.

Drawing reference:

- 1) flat seal
- 2) magnet

Drawings



Overview of items

Order No.	D	D1	D2	L	L1	L2	SW
28024-20014	20	G1/4	8	7	9	5	17
28024-22038	22	G3/8	13	7,5	10	10	18
28024-27012	27	G1/2	13	8	11	9	24
28024-34034	34	G3/4	19,6	9	11	6,5	30
28024-42100	42	G1	19,6	10,5	12	14	35
28024-201415	20	M14X1,5	8	7	9	5	17

