

Item description/product images



Description

Material:

Housing and cap thermoplastic polyamide 66.
Air filter polyurethane (PU foam).
O-ring rubber (NBR).

Version:

Housing black.
Cap red.
Filter mesh 50 μm .

Temperature range:

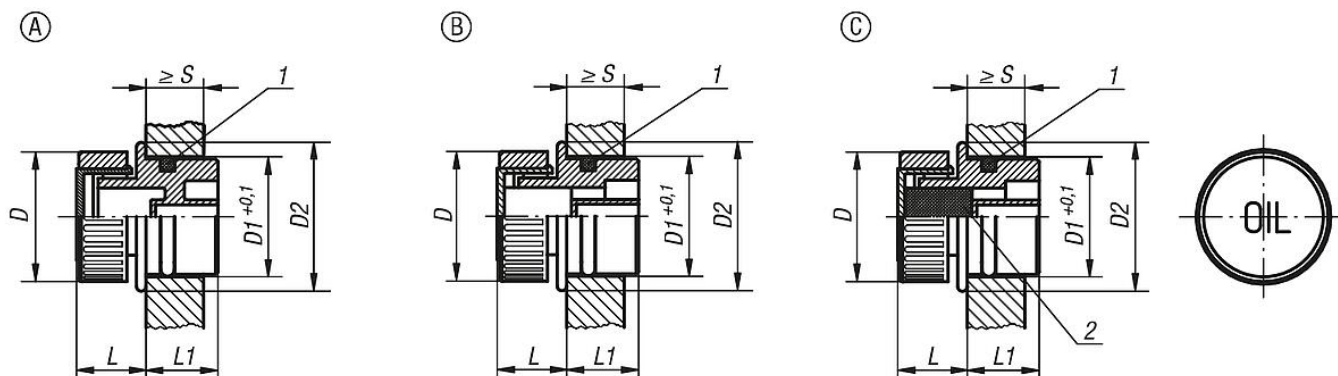
Temperature resistant with oil up to 100°C.

Drawing reference:

Form A: without vent
Form B: with vent
Form C: with vent and air filter

- 1) O-ring
2) air filter Form C only

Drawings



Overview of items

Order No. Form A	Order No. Form B	Order No. Form C	D	D1	D2	L	L1	S min.
28022-13018	28022-23018	28022-33018	30	18	23	14	14	8
28022-13020	28022-23020	28022-33020	30	20	24	14	15,5	8
28022-13026	28022-23026	28022-33026	30	26	30	14	16,5	9,5
28022-13030	28022-23030	28022-33030	30	30	34	14	17	9,5