

## Item description/product images



## Description

**Material:**

Housing and cap thermoplastic polyamide 66.  
Air filter polyurethane (PU foam).  
Flat seal NBR, Shore 70.

**Version:**

Black housing.  
Red cap.  
Filter mesh 40  $\mu\text{m}$ .

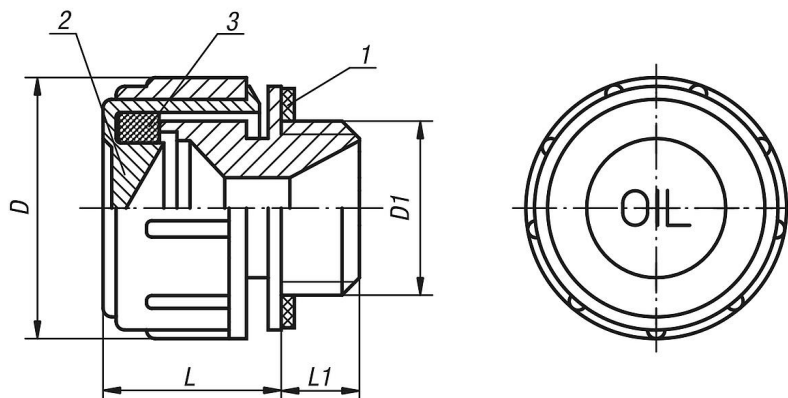
**Temperature range:**

Temperature resistant with oil up to 100°C.

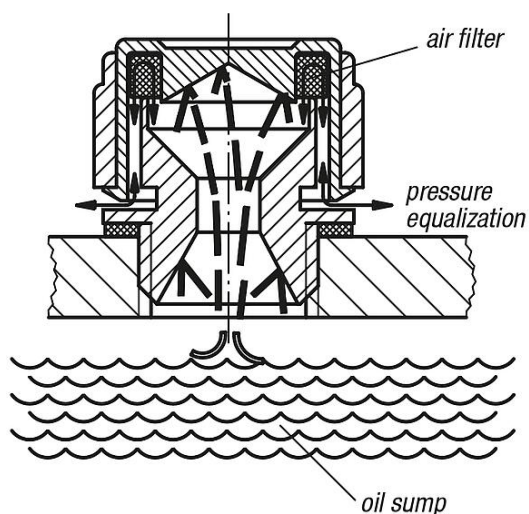
**Drawing reference:**

- 1) flat seal
- 2) cap
- 3) air filter

## Drawings



splash guard



Gears partly immersed in an oil sump create an oil spray that may cause oil to leak from the vent cap. To avoid this the screw has been fitted with a splash guard. Only a small part of the oil spray can pass through the lower tapered bore. The oil that does reach the cap underside is redirected in such a way that it does not notably hinder the venting process.

## Overview of items

| Order No.   | D  | D1   | L  | L1 |
|-------------|----|------|----|----|
| 28036-30014 | 30 | G1/4 | 21 | 10 |
| 28036-30038 | 30 | G3/8 | 21 | 10 |
| 28036-30012 | 30 | G1/2 | 21 | 10 |