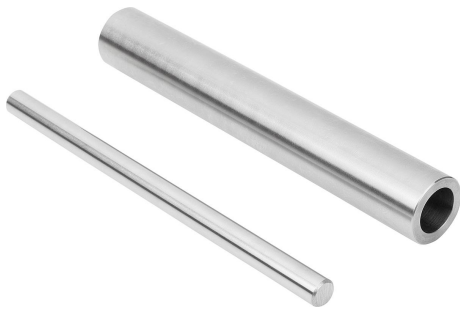


Item description/product images



Description

Material:

Ø12 and Ø20 stainless steel 1.4034.  
 Ø30 and Ø40 stainless steel 1.4305.

Version:

Bright, ground.

Note:

These ground stainless steel columns enable the versatile construction of many assembly configurations with only a few standard components.

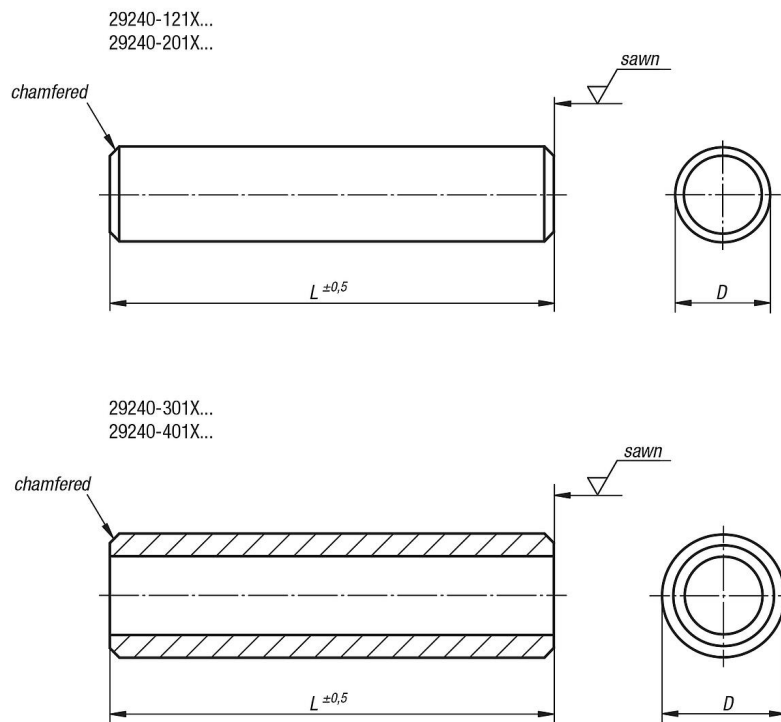
Ø12 and Ø20 = solid bar.

Ø30 and Ø40 = tubes (wall thickness 5 mm).

On request:

Other lengths.

Drawings



Overview of items

Order No.	Item	Size	D	L
29240-121X	Rod	12	12	100/200/300/400/500
29240-201X	Rod	20	20	100/200/300/400/500
29240-301X	Round Tube	30	30	100/200/300/400/500
29240-401X	Round Tube	40	40	100/200/300/400/500

