

## Item description/product images



## Description

**Material:**

Thermoplastic.  
DIN 7984 screws and DIN 985 nuts steel.

**Version:**

Black.  
Screws and nuts electro zinc-plated.

**Note:**

Tube swivel clamps can be seamlessly rotated through 180°.  
The standard size for round tubes is Ø18 mm or Ø30 mm. Use reducer sleeves 29042 if smaller tubes are to be clamped or a conversion from round to square tubes is required.

**On request:**

Plastic clamping levers for tightening.

**Accessory:**

- Reducer sleeves 29042
- Round and square tubes 29050

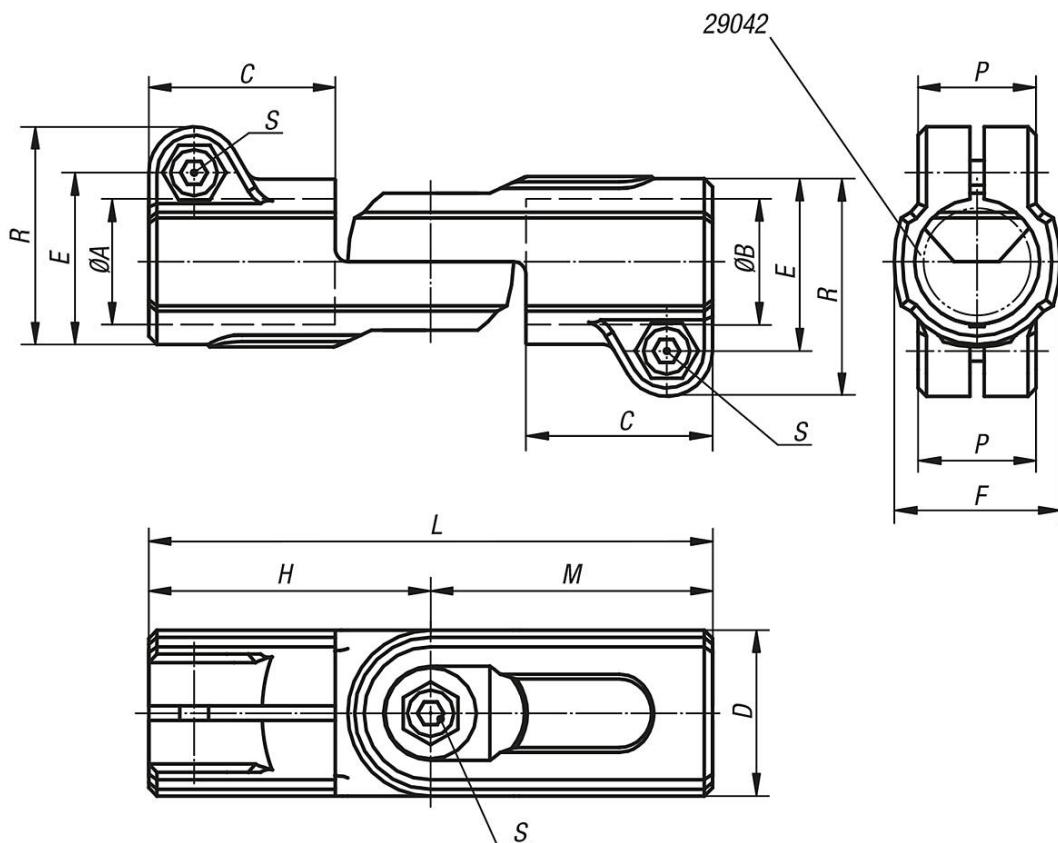
**Note:**

Tightening torque for clamping screws:

M6: 10 Nm

M8: 25 Nm

## Drawings



## Overview of items

Order No.	A	B	C	D	E	F	H	L	M	P	R	S
29034-18	18	18	30	25	26,5	25	45	90	45	21	34	M6x18
29034-30	30	30	45	40	41,5	40	68	136	68	28,5	52,5	M8x25