

## Item description/product images



## Description

**Material:**

Cast aluminium.  
DIN 7984 cap screws and DIN 985 hex nuts, steel.  
From A = 20.1 DIN 931 hex head screws.

**Version:**

Vibratory ground.  
Cap screw, hex head screw and hex nut.

**Note:**

Swivel tube clamps can be infinitely rotated through 180°.

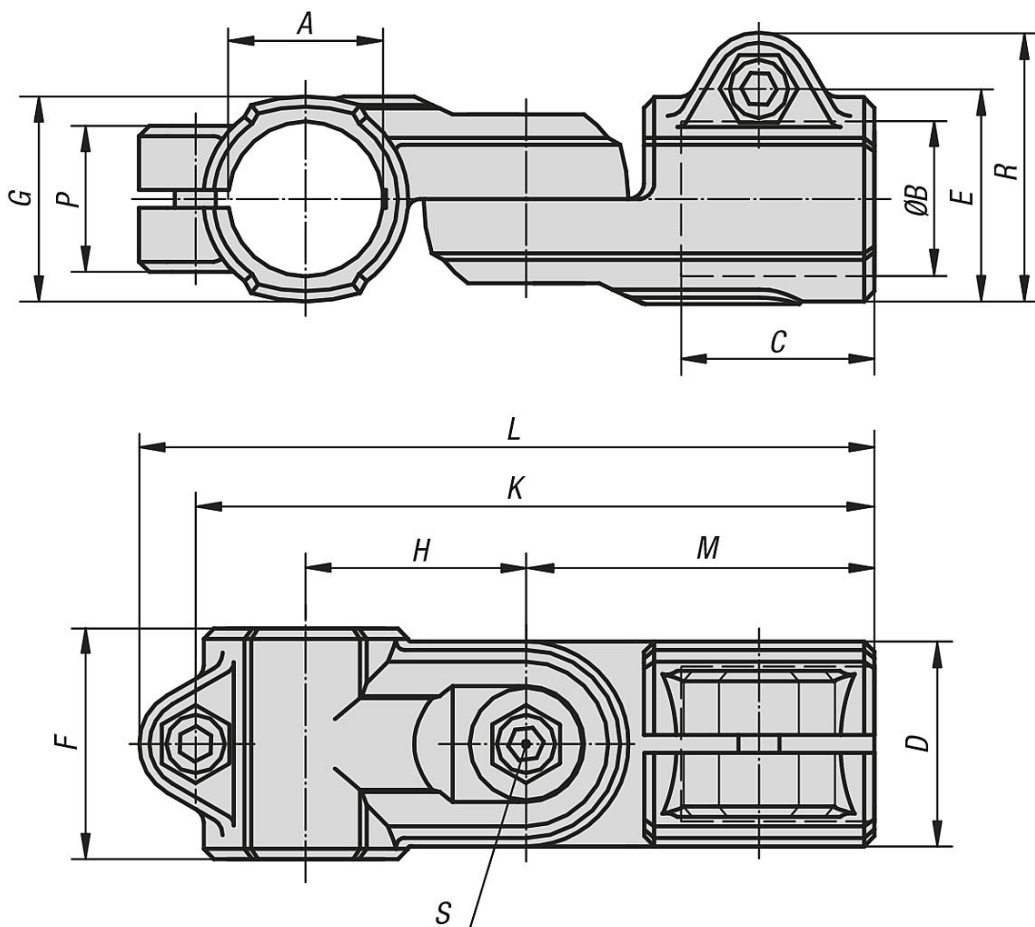
**On request:**

Clamping levers for tightening and other diameters.

**Accessory:**

- Round and square tubes 29050

## Drawings



## Overview of items

Order No.	A	B	C	D	E	F	G	H	K	L	M	P	R	S
29032-512	12,1	12,1	25	26	29,4	30	26	27	87	95,5	44	21	37,5	M6x18
29032-514	14,1	14,1	25	26	29,4	30	26	27	87	95,5	44	21	37,5	M6x18
29032-516	16,1	16,1	25	26	29,4	30	26	27	87	95,5	44	21	37,5	M6x18
29032-518	18,1	18,1	25	26	29,4	30	26	27	87	95,5	44	21	37,5	M6x18
29032-520	20,1	20,1	45	40	42	40	40	43	138	147	73	33	52	M8x35
29032-525	25,1	25,1	45	40	42	40	40	43	138	147	73	33	52	M8x35
29032-530	30,1	30,1	45	40	42	40	40	43	138	147	73	33	52	M8x35
29032-540	40,2	40,2	60	56	57	56	56	60	188	200	100	48	69	M10x50