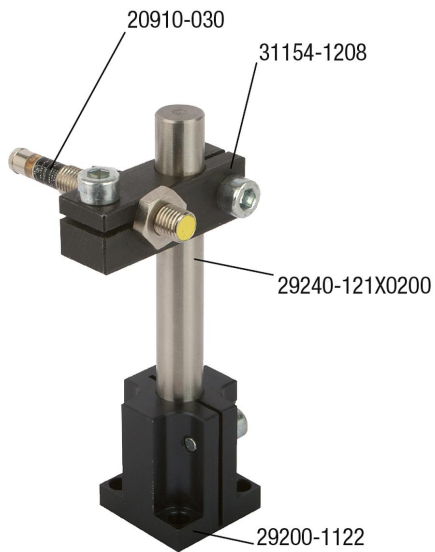


## Item description/product images

**Description****Material:**

Aluminium EN AW-6060

**Version:**

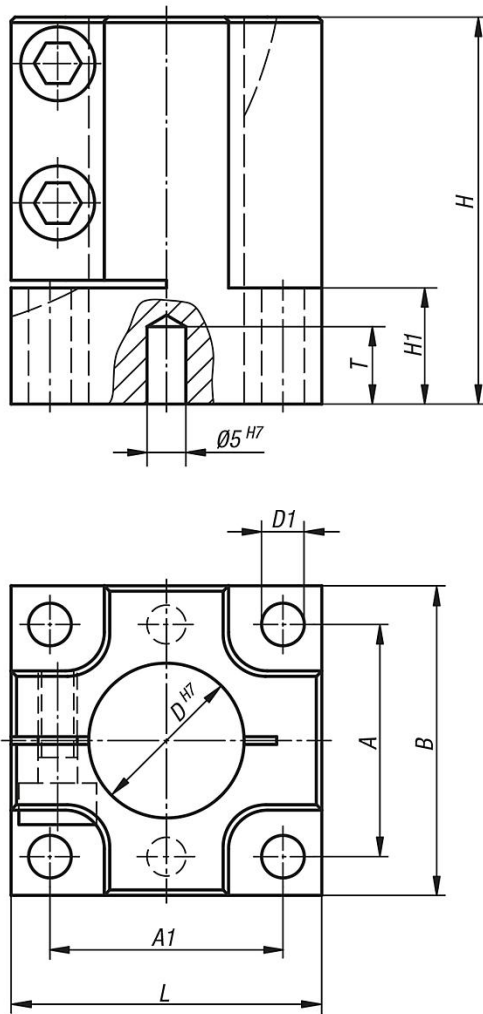
Black anodised

**Note:**

Single base for holding columns in four different sizes. Machined contact faces with mounting and centring holes guarantee precise mounting of elements.

**Drawing reference:**position tolerance of reamed holes:  $\pm 0,01$ position tolerance of holes:  $\pm 0,1$

Drawings



Overview of items

Order No.	Size	A	A1	B	D	D1	H	H1	L	T
29200-1122	12	22	22	30	12	5,5	35	7	30	8
29200-1202	20	30	30	40	20	5,5	50	15	40	10
29200-1302	30	40	40	50	30	6,5	50	15	50	10
29200-1402	40	48	48	60	40	8,5	50	15	60	10