

Item description/product images



Description

Material:

Spring band steel

Note:

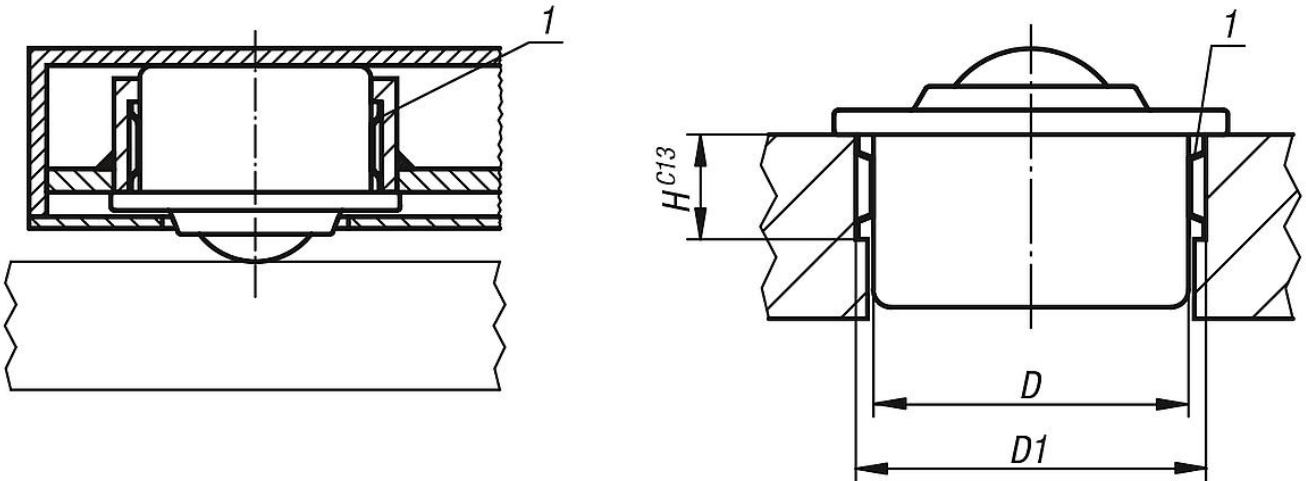
The use of tolerance rings allows for a greater tolerance range between the parts being assembled.

The ball transfer units can be fitted quickly and cost effectively.

Drawing reference:

1) tolerance ring

Drawings



Overview of items

Order No.	D	Assembly dimensions D1	Assembly dimensions H
95164-024	24	25,7 +0,2	7
95164-036	36	37,7 +0,2	12
95164-045	45	46,7 +0,2	12
95164-062	62	64,1 +0,3	15
95164-100	100	102,5 +0,35	19