

## Item description/product images

**Description****Material:**

Electro zinc-plated steel or stainless steel.

**Note:**

Ball transfer units with steel housing have a felt seal to protect against dirt.

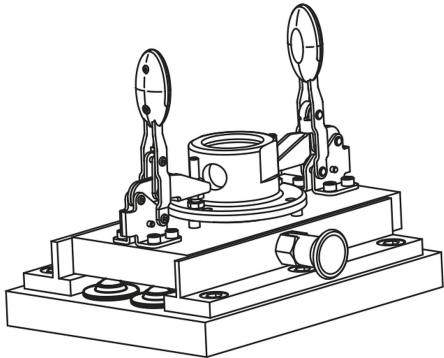
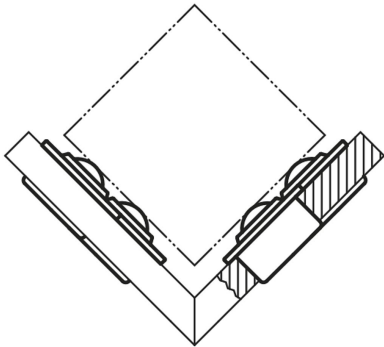
**Drawing reference:**

- 1) load ball
- 2) bearing balls

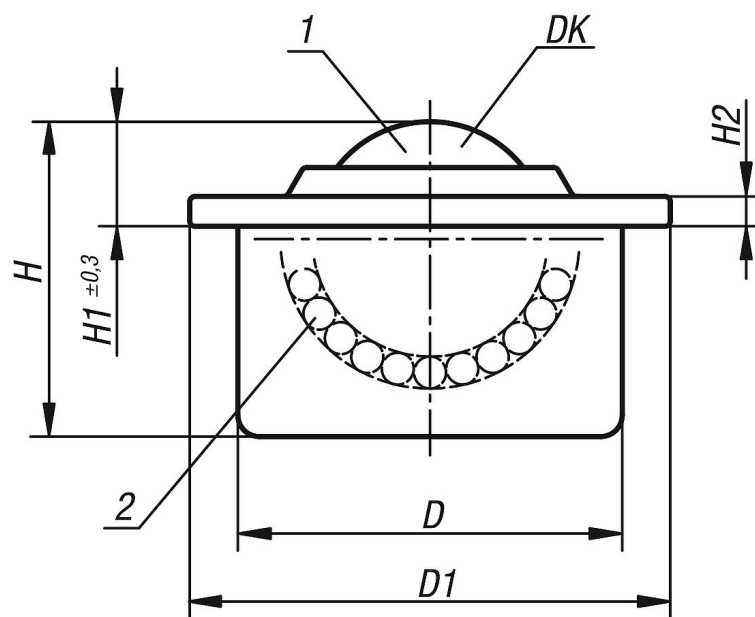
Form B: cap and housing electro zinc-plated, balls steel

Form C: cap and housing electro zinc-plated, balls stainless steel

Form D: cap, housing and balls stainless steel



## Drawings



## Overview of items

Order No.	Form	DK	D	D1	H	H1	H2	Load rating C (N)	Suitable tolerance ring
95150-115	B	15,8	24±0,2	31	21	9,5	2,8	600	95164-024
95150-122	B	22,2	36±0,2	45	30	9,8	2,8	1600	95164-036
95150-130	B	30	45±0,2	55	37	13,8	4	3000	95164-045
95150-145	B	44,5	62±0,2	75	53,5	19	4	6100	95164-062
95150-215	C	15,8	24±0,2	31	21	9,5	2,8	600	95164-024
95150-222	C	22,2	36±0,2	45	30	9,8	2,8	1600	95164-036
95150-230	C	30	45±0,2	55	37	13,8	4	3000	95164-045
95150-245	C	44,5	62±0,2	75	53,5	19	4	6100	95164-062
95150-315	D	15,8	24±0,2	31	21	9,5	2,8	380	95164-024
95150-322	D	22,2	36±0,2	45	30	9,8	2,8	1000	95164-036
95150-330	D	30	45±0,2	55	37	13,8	4	2000	95164-045