

Item description/product images



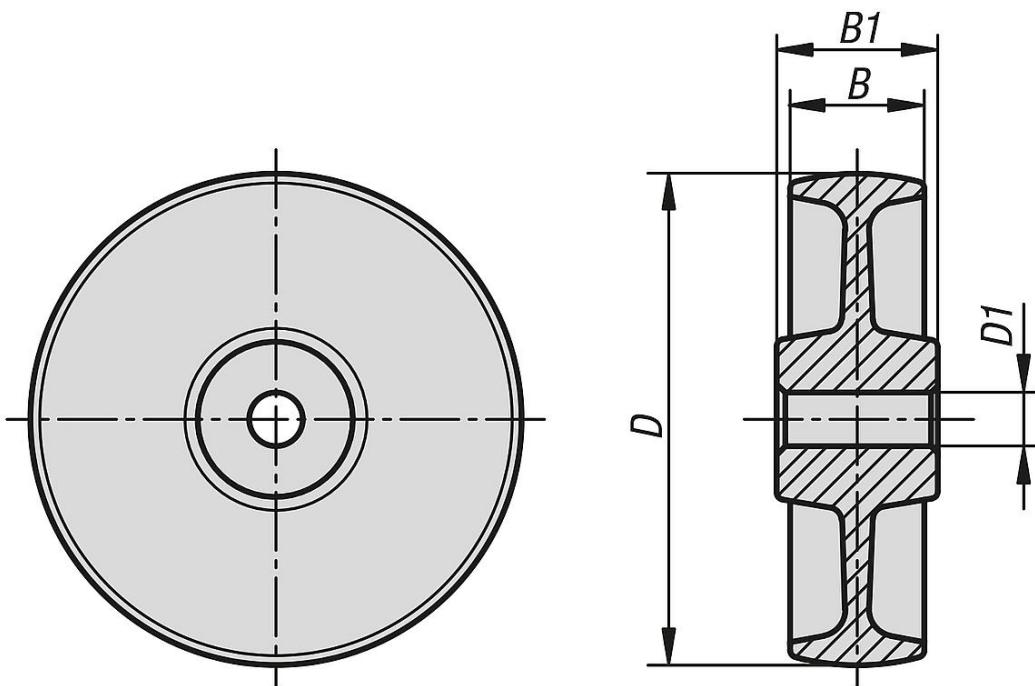
Description

Material:
Polyamide

Note:

Polyamide wheels are unbreakable, non-corroding, shock and impact proof and chemical resistant. They also have high abrasion resistance and low roll resistance. Other sizes or with ball bearing on request.

Drawings



Overview of items

Order No.	Wheel bearing	D	D1	B	B1	Permissible load kg
95062-07532	plain bearing	75	12	32	35	200
95062-10037	plain bearing	100	15	37	45	280
95062-12540	plain bearing	125	15	40	45	300
95062-15050	plain bearing	150	20	50	60	400
95062-20050	plain bearing	200	20	50	60	600