

Item description/product images



Description

Material:

Tread light brown Extrathane® Shore 92A or white polyamide 6 Shore 80D.

Note:

The tread is firmly bonded onto a ball bearing.

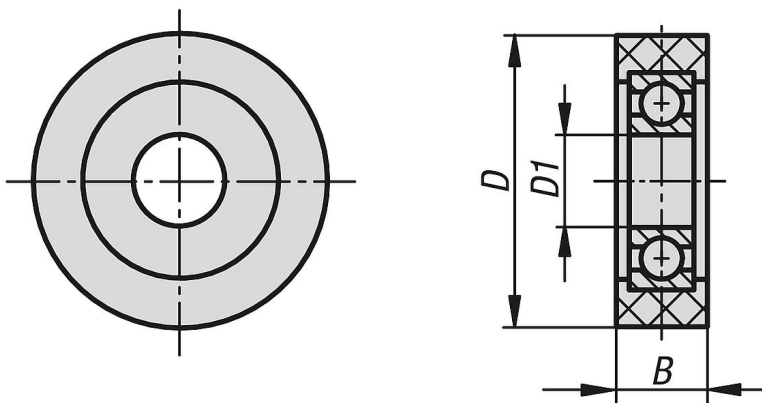
Extrathane tread: quiet running, low roll resistance, elastic, gentle on floors, very wear resistant, high cut and tear resistance, non-marking, non-staining.

Polyamide 6 tread: unbreakable, very low roll resistance, light running on smooth floors, very wear resistant.

Uses: conveyor belts, doors, etc.

Other sizes on request.

Drawings



Overview of items

Order No.	Version 1	Material tread	Wheel bearing	D	D1	B	Ball bearing	Permissible load kg
95057-03008	without locking system	extrathane	ball bearing	30	6	8	626 2RS	20
95057-03514	without locking system	extrathane	ball bearing	35	12	14	6001 2RS	40
95057-04020	without locking system	extrathane	ball bearing	40	10	20	6000 2RS	40
95057-05015	without locking system	extrathane	ball bearing	50	10	15	6200 2RS	60
95057-06020	without locking system	extrathane	ball bearing	60	17	20	6203 2RS	90
95057-07020	without locking system	extrathane	ball bearing	70	25	20	6205 2RS	125
95057-030081	without locking system	polyamide 6	ball bearing	30	6	8	626 2RS	35
95057-035111	without locking system	polyamide 6	ball bearing	35	8	11	608 2RS	55
95057-040201	without locking system	polyamide 6	ball bearing	40	10	20	6200 2RS	100
95057-050151	without locking system	polyamide 6	ball bearing	50	10	15	6200 2RS	100
95057-060201	without locking system	polyamide 6	ball bearing	60	17	20	6203 2RS	165
95057-070201	without locking system	polyamide 6	ball bearing	70	25	20	6205 2RS	185

