

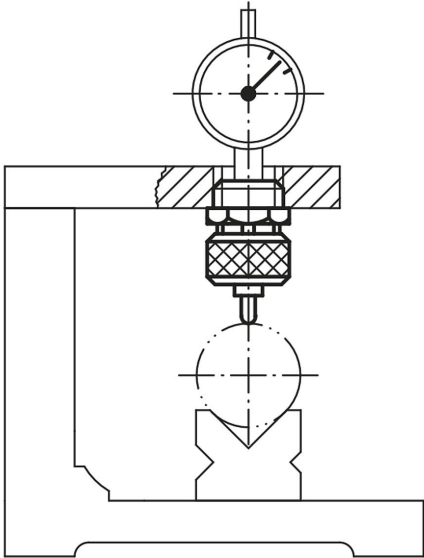
Item description/product images



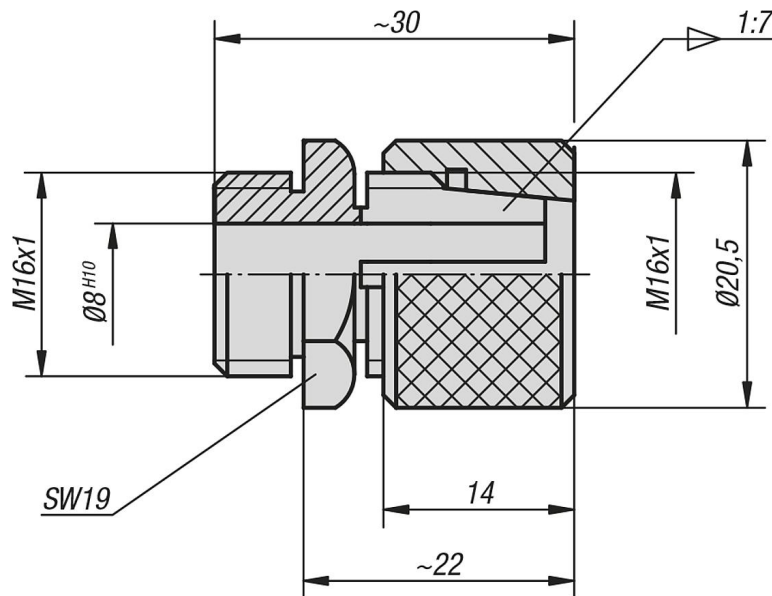
Description

**Material:**  
Carbon steel.

**Version:**  
Black oxidised.  
Collet tempered.



Drawings



Overview of items

Order No.	Dimensions
33000-08	see drawing

