

## Item description/product images



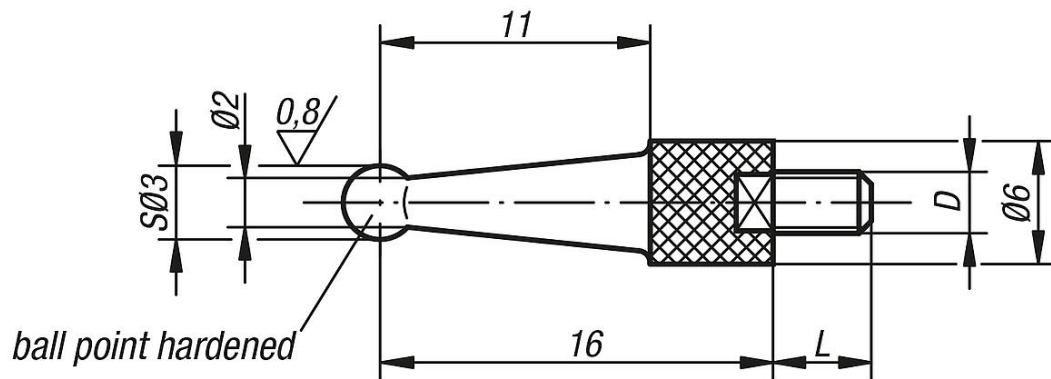
## Description

**Material:**  
Tool steel.

**Version:**  
Hardened, black oxidised.

**Note:**  
Dial gauges see 32540 and 32542.

## Drawings



## Overview of items

Order No.	D	L
33042-025016	M2,5	5
33042-040016	M4	5