

Item description/product images

**Description****Material:**

Steel.

Shaft bearing GJL 200

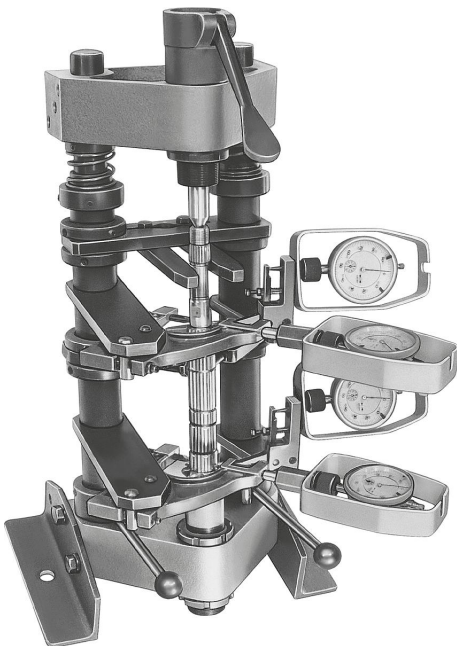
Version:

Steel parts black oxidised.

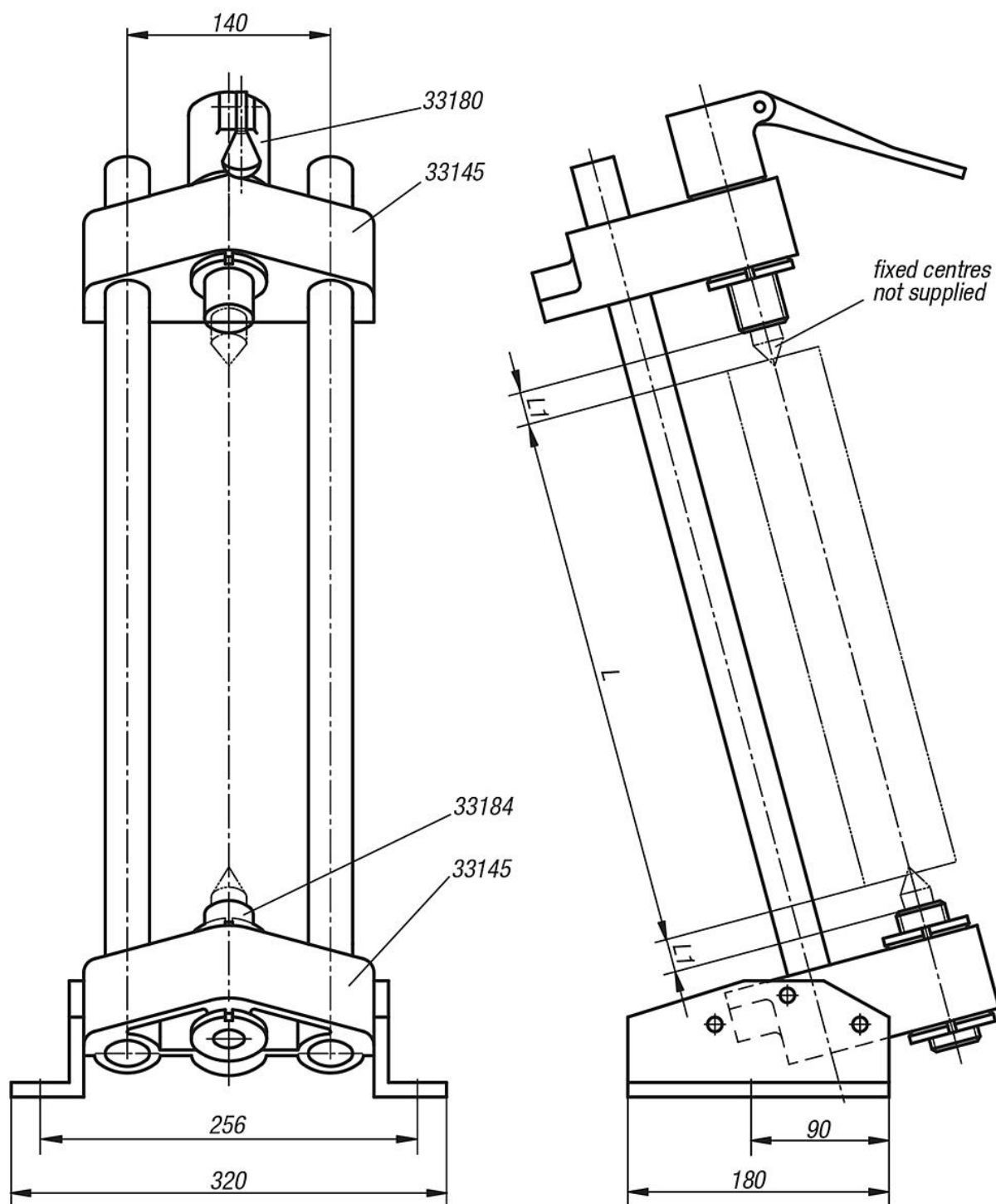
Shaft bearing painted.

Note:

See example of a measuring fixture.



Drawings



Overview of items

| Order No. | L when L1 = 32 with fixed centre 33190-02096 | L when L1 = 49 with fixed centre 33190-02113 |
|--------------|--|--|
| 33140-240444 | 274-444 | 240-410 |
| 33140-410524 | 444-524 | 410-490 |

