

Item description/product images



Description

Material:

Thermoplastic.
DIN 7984 screws and DIN 985 nuts steel.

Version:

Black.
Screws and nuts electro zinc-plated.

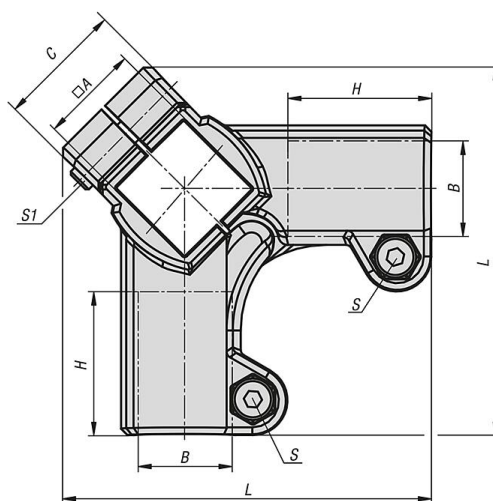
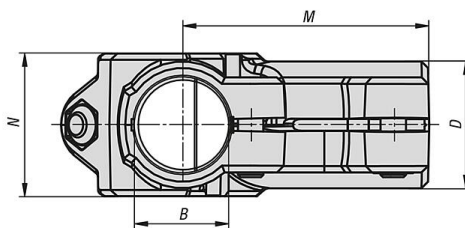
Note:

The right-angle tube connector can be used to clamp 30 mm square and round tubes. Use reducer sleeves 29040 or 29042 if smaller tubes are to be clamped or a conversion from round to square tubes "or vice versa" is required.

Accessory:

Round and square tubes 29050.
Aluminium round tubes with slot 29050-05.
Reducer sleeves 29040 and 29042.
Plastic clamping lever with extended collar 06611-50.

Drawings



Overview of items

Order No.	Item	A	B	H	D	L	C	N	M	S	S1
29008-30	Tube Clamp	30,1	30,3	45	40	116	40	45	78	M8x25	M8X35

