

Item description/product images



Description

Product description:

The magnetic base for WLAN antennas extends the installation range of WLAN rod antennas. For example, the antenna of the Gateway 85875 can be mounted outside the switch box, which improves signal reception.

Version:

RP-SMA socket on RP-SMA plug.
Cable length 1.5 m.
Antenna base, magnetic.
For 2.4 GHz and 5 GHz WLAN or Bluetooth.

Note:

Antenna base for WLAN rod antennas.
RP-SMA socket/plug.
Applicable for 2.4 GHz and 5 GHz WLAN products.
Strong magnet metal base.
Cable length 1.5 m.

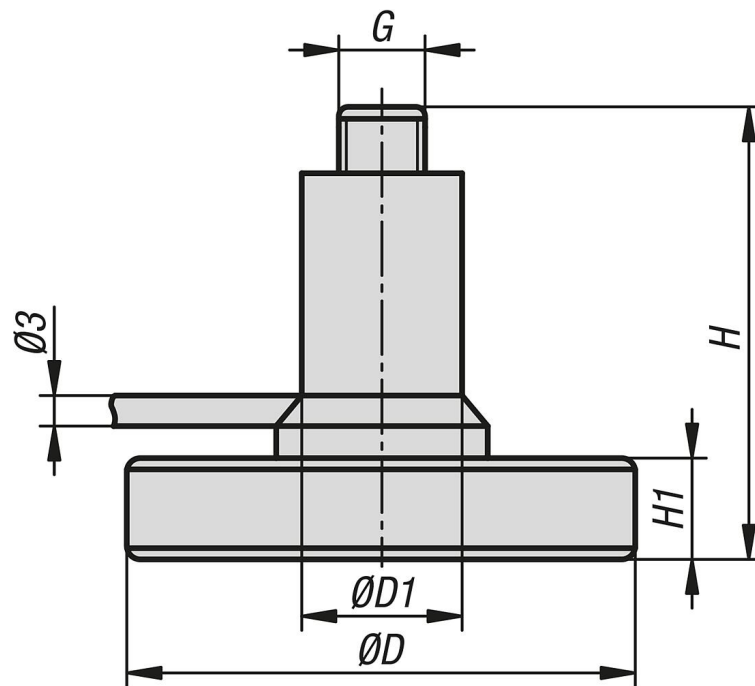
Advantages:

- WLAN antenna base, magnetic
- RP-SMA port
- 1.5 m low-loss cable

Accessory:

Gateway 85875.
Extension cable for WLAN antenna 85875-51.

Drawings



Overview of items

Magnetic base for WLAN antenna

| Order No. | Length connection cable | Connection | D | D1 | G | H | H1 |
|-------------|-------------------------|--------------------|----|----|--------|------|-----|
| 85875-50-01 | 1,5 | RP-SMA socket/plug | 48 | 15 | 1/4-28 | 43,5 | 9,5 |