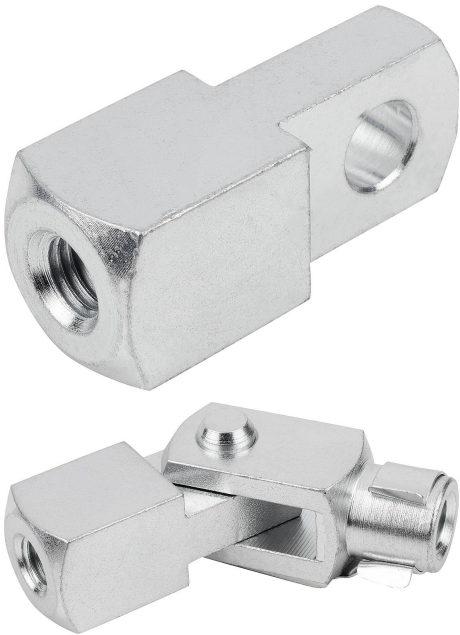


## Item description/product images



## Description

**Material:**

Steel or 1.4305 stainless steel.

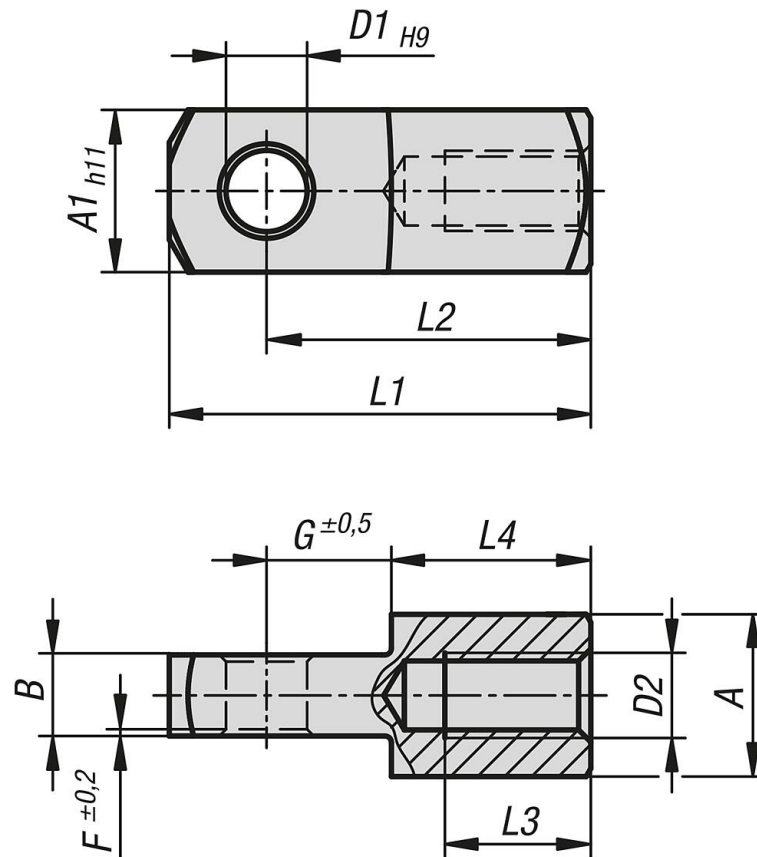
**Version:**

Steel electro zinc-plated. Stainless steel bright.

**Note:**

The clevis tang can be combined with a DIN 71752 clevis. These items are mainly used when connections are required to compensate for a directional shift in one direction.

## Drawings



## Overview of items

Order No.	Main material	A	A1	B	D1	D2	F	G	L1	L2	L3	L4
27624-10-0406	steel	8	8	4	4	M4	0,5	6	21	16	6	10
27624-10-0507	steel	10	10	5	5	M5	0,5	7,5	26	20	8	12,5
27624-10-0609	steel	12	12	6	6	M6	0,5	9	31	24	11	15
27624-10-0812	steel	16	16	8	8	M8	0,5	12	42	32	14	20
27624-10-1015	steel	20	20	10	10	M10	0,5	15	52	40	18	25
27624-10-1218	steel	24	24	12	12	M12	0,5	18	62	48	22	30
27624-10-1421	steel	27	27	14	14	M14	1	21	72	56	25	35
27624-10-1624	steel	32	32	16	16	M16	1	24	83	64	30	40
27624-10-2030	steel	40	40	20	20	M20	1	30	105	80	38	50
27624-10-10406	stainless steel A2	8	8	4	4	M4	0,5	6	21	16	6	10
27624-10-10507	stainless steel A2	10	10	5	5	M5	0,5	7,5	26	20	8	12,5
27624-10-10609	stainless steel A2	12	12	6	6	M6	0,5	9	31	24	11	15
27624-10-10812	stainless steel A2	16	16	8	8	M8	0,5	12	42	32	14	20
27624-10-11015	stainless steel A2	20	20	10	10	M10	0,5	15	52	40	18	25
27624-10-11218	stainless steel A2	24	24	12	12	M12	0,5	18	62	48	22	30
27624-10-11421	stainless steel A2	27	27	14	14	M14	1	21	72	56	25	35
27624-10-11624	stainless steel A2	32	32	16	16	M16	1	24	83	64	30	40
27624-10-12030	stainless steel A2	40	40	20	20	M20	1	30	105	80	38	50