

## Item description/product images



## Description

**Product description:**

The swivel feet consist of a plate and a DIN 933/ISO 4017 hex head bolt or a DIN 439/ISO 4035 low form hex nut.

The length of the hex head bolt is freely selectable. This enables the height to be individually determined.

The anti-slip plate absorbs vibrations, prevents the swivel foot from slipping and protects the floor from abrasion.

**Material:**

Plate, sleeve and nut PA6.

Anti-slip plate NBR.

**Version:**

Black.

**Note:**

The load values specified in the table are based on a test series, in which a static load was applied perpendicular to the plates through the centre of the spindle.

Radially acting forces, such as those produced by vibrations or other shaking effects, affect the load rating and are not taken into account for the specified values.

**Assembly:**

1. Place the hex head bolt (1) or hex nut (1) in the sleeve (2).
2. Slide the plastic nut (3) over the hex head bolt (1) or hex nut (1). This creates in a ball joint.
3. Without tools, simply press the ball joint into the plate (4) from above, a click will be heard when it engages.
4. Press the anti-slip plate (5) into the disc (4) from below.

**Supplied with:**

Anti-slip plate supplied.

Hex head bolt/hex nut not supplied.

**Accessory:**

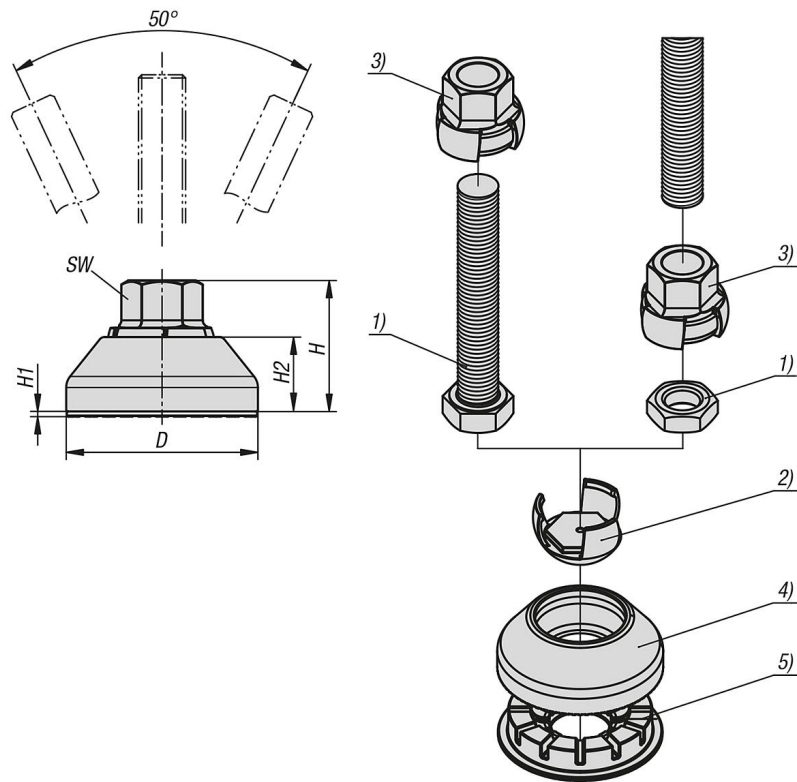
Hex head bolt 07171.

Hex nut 07212.

**Drawing reference:**

- 1) Hex head bolt/hex nut
- 2) Sleeve
- 3) Plastic nut
- 4) Plate
- 5) Anti-slip plate

Drawings



Overview of items

Order No.	Size	D	G	H	H1	H2	SW	Load rating max. kN (static load only)
27803-10-203006	30	30	M6	27	0,8	17	10	7,5
27803-10-204006	40	40	M6	27	0,8	17	10	7,5
27803-10-203008	30	30	M8	27	0,8	17	13	7,5
27803-10-204008	40	40	M8	27	0,8	17	13	7,5
27803-10-205010	50	50	M10	40	2,5	22	17	15,5
27803-10-205012	50	50	M12	40	2,5	22	19	15,5
27803-10-206516	65	64,5	M16	46,5	1,8	28,5	24	34
27803-10-208320	83	82,5	M20	60	1,8	35	30	39