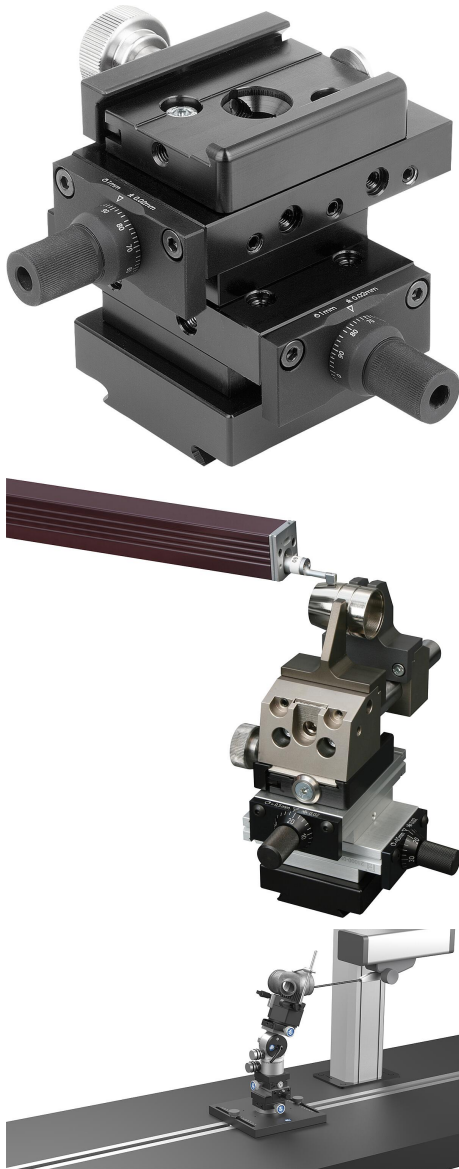


Item description/product images

**Description****Material:**

Quick-action clamp and quick-release mount aluminium.
Slides aluminium EN AW-6082.

Version:

Quick-action clamp and quick-release mount hard-coated.
Slides black anodised.

Note:

The measurements cannot be carried out accurately by simply sliding along T-slots in machine tables. The cross table enables the test specimen to be infinitely adjusted in the X and Y axis. It combines 2 dovetail slides 21010-050080 with a matching quick-action clamp and quick-release mount.

The test specimen can be finely linearly adjusted in the X and Y axis on the cross table.

The cross table can be mounted tool-free on the baseplate and combined and attached to all products with quick-release mounts.

Accessory:

Baseplate 34031.

Quick-action clamp with angle element 33227-10.

Rotatable quick-action clamp with angle element 34007.

Rotatable quick-action clamp 34007-02.

Precision vice 33225-5003511.

Precision centric vice 34010.

Precision 3-jaw chuck 34011.

Adapter 33226-05.

Needle support 33227.

Small part clamp 34012.

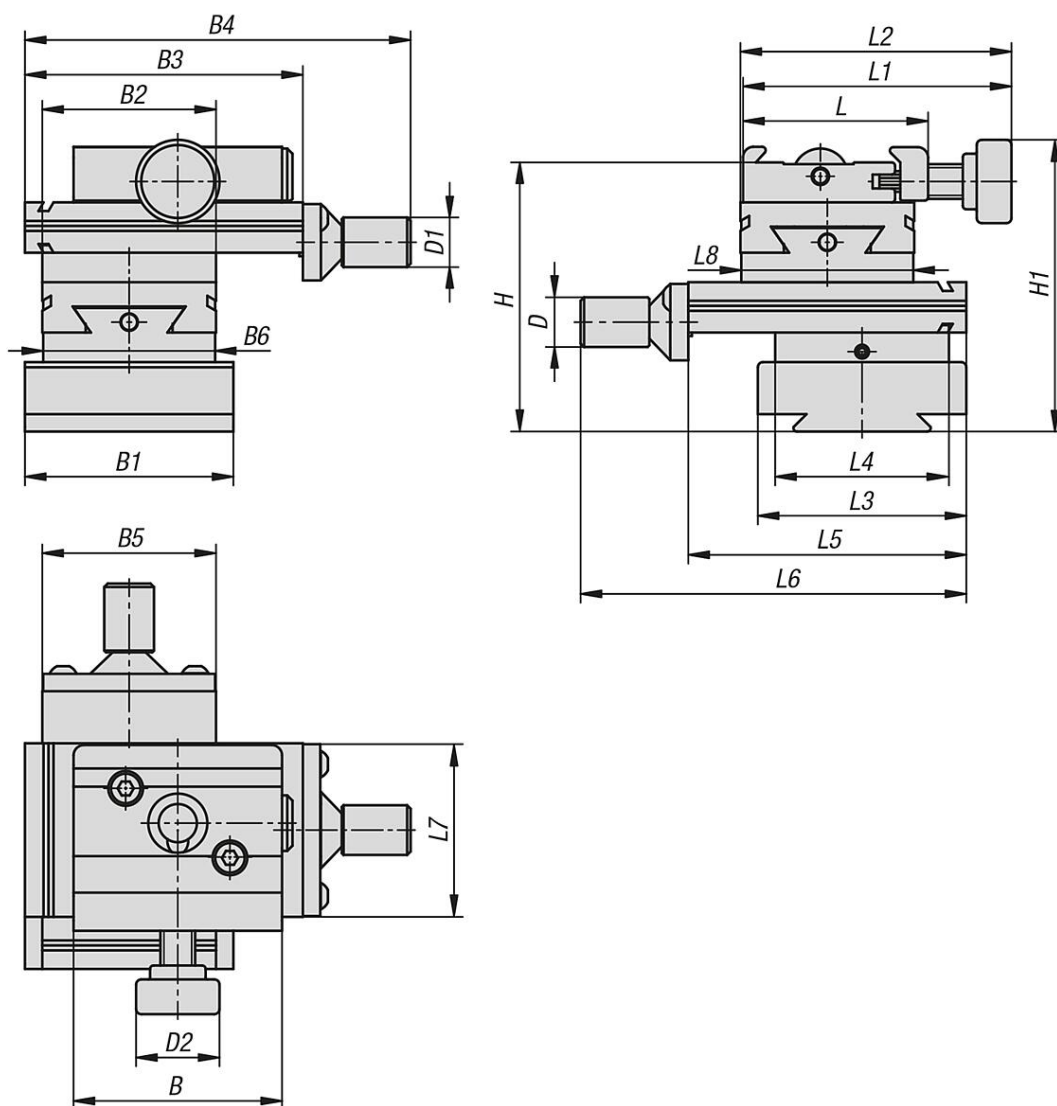
Magnetic V-block 34013.

V-block with spring finger 34013-05.

V-block 34013-10.

Clamping plate 34032.

Drawings



Overview of items

Cross table, aluminium with quick-action clamp

Order No.	B	B1	B2	B3	B4	B5	B6	D	D1	D2	H	H1	L	L1	L2	L3	L4	L5	L6	L7	L8
34031-10-050080	60	60	50	80	113,6	50	49,5	14	14	24	77,5	84	53,5	77,5	78	60	48	80	113,6	50	49,5