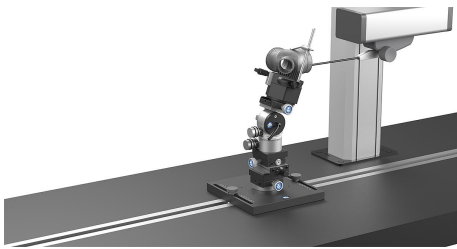
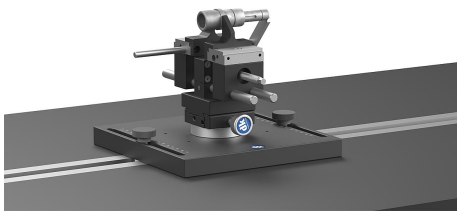
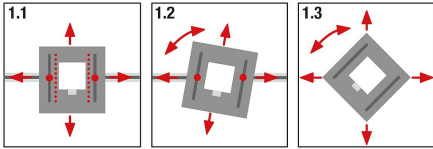


## Item description/product images



## Description

**Material:**

Body aluminium.  
Components stainless steel.

**Version:**

Body hard-coated.  
Components bright.

**Note:**

The baseplate is infinitely adjustable in the X and Y axis. Guide pins can be inserted into the holes D1 so that they engage in the machine table T-slot (Figure 1.1). This enables precise movement along the measuring axis. Without pins, the baseplate can be rotated (Figure 1.2) and still be effectively secured using the slotted holes. Due to its high dead weight, the baseplate can also be used on machine tables without a T-slot and adjusted and rotated as required (Figure 1.3). The baseplate is equipped with a quick-action clamp. This means that all items with a quick-release adapter can be installed and used tool-free.

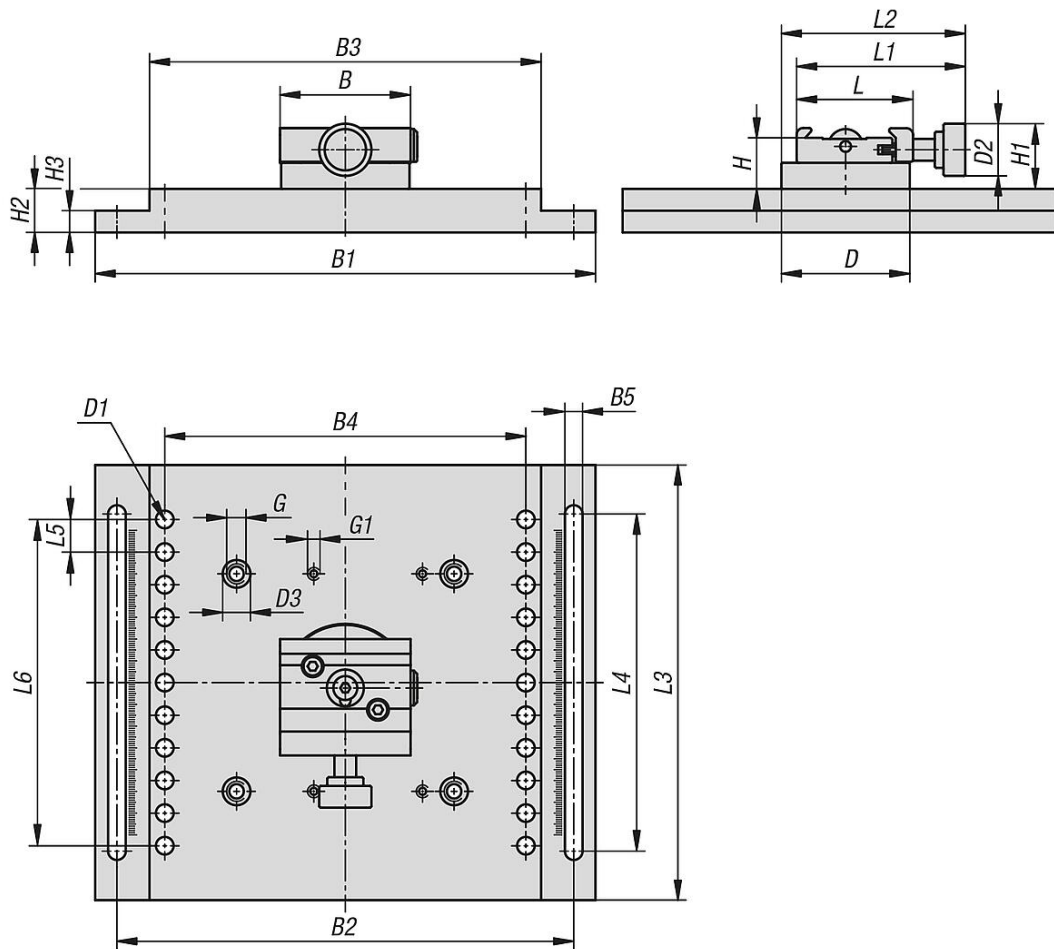
**Supplied with:**

DIN 508 T-slot nuts 07060-08, 07060-081 and 07060-082 (2 per item), as well as 2 knurled knobs 06092-0208X20 and 2 guide pins.

**Accessory:**

Cross table 34031-05.  
Quick-action clamp with angle element 33227-10.  
Rotatable quick-action clamp with angle element 34007.  
Rotatable quick-action clamp 34007-02.  
Precision vice 33225-5003511.  
Precision centric vice 34010.  
Precision 3-jaw chuck 34011.  
Adapter 33226-05.  
Needle support 33227.  
Small part clamp 34012.  
Magnetic V-block 34013.  
V-block with spring finger 34013-05.  
V-block 34013-10.  
Clamping plate 34032.

Drawings



Overview of items

Baseplate, aluminium with quick-action clamp

Order No.	B	B1	B2	B3	B4	B5	D	D1	D2	D3	G	G1	H	H1	H2	H3	L	L1	L2	L3	L4	L5	L6
34031-200230201	60	230	210	180	166	8,1	59	8,1	24	12	M8	M04	23,5	30	20	10	53,5	77,5	84,5	200	155	15	150