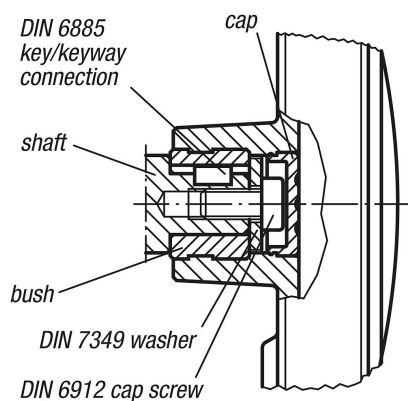


Item description/product images



Description

Material:

Handwheel body and grip thermoplastic.

Hub and grip axle steel, strength class 5.8, or stainless steel 1.4404.

Version:

Thermoplastic black grey.

Steel parts black oxidised.

Stainless steel bright.

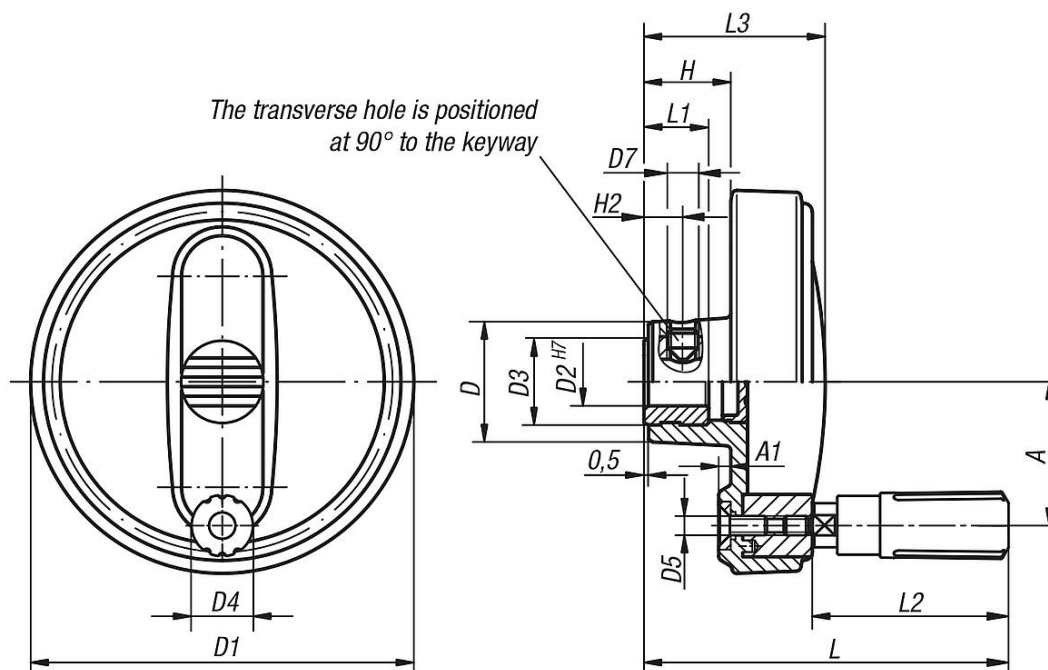
Note:

The hub cover and the revolving cylinder grip are supplied unassembled. To assemble, screw the grip into the tapped hole.

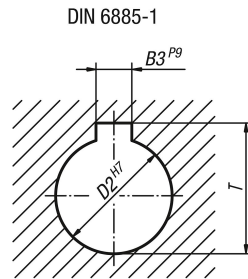
The handwheels can be secured to a shaft using a transverse pin or by parallel key connection together with a DIN 6912 cap screw and a DIN 7349 washer.

Versions with transverse bore are secured using the ISO 4027 (DIN 914) grub screw.

Drawings



Drawings



Overview of items

Order No.	Version 1	Version 2	Component material	D		D1	D2	D3	D4	D5	D7	A	A1	H	H2	L	L1	L2	L3	B3	T
				D	D1	D2	D3	D4	D5	D7	A	A1	H	H2	L	L1	L2	L3	B3	T	
06263-108008	reamed hole	without transverse hole	steel	25	80	8H7	19	14	M4	-	30	2,5	17,6	-	74,6	13	40	36,7	-	-	
06263-108010	reamed hole	without transverse hole	steel	25	80	10H7	19	14	M4	-	30	2,5	17,6	-	74,6	13	40	36,7	-	-	
06263-108012	reamed hole	without transverse hole	steel	25	80	12H7	19	14	M4	-	30	2,5	17,6	-	74,6	13	40	36,7	-	-	
06263-210010	reamed hole	without transverse hole	steel	28	100	10H7	19	16	M5	-	38	3	20,1	-	90,2	13	49,1	43,5	-	-	
06263-210012	reamed hole	without transverse hole	steel	28	100	12H7	19	16	M5	-	38	3	20,1	-	90,2	13	49,1	43,5	-	-	
06263-312512	reamed hole	without transverse hole	steel	35	125	12H7	25	20	M6	-	47,5	4	23,3	-	110,7	18,5	61,4	52,1	-	-	
06263-312514	reamed hole	without transverse hole	steel	35	125	14H7	25	20	M6	-	47,5	4	23,3	-	110,7	18,5	61,4	52,1	-	-	
06263-312516	reamed hole	without transverse hole	steel	35	125	16H7	25	20	M6	-	47,5	4	23,3	-	110,7	18,5	61,4	52,1	-	-	
06263-416014	reamed hole	without transverse hole	steel	45	160	14H7	25	25	M8	-	62	5,6	28	-	143	18,5	82,5	63,8	-	-	
06263-416016	reamed hole	without transverse hole	steel	45	160	16H7	25	25	M8	-	62	5,6	28	-	143	18,5	82,5	63,8	-	-	
06263-10800802	reamed hole with slot	without transverse hole	steel	25	80	8H7	19	14	M4	-	30	2,5	17,6	-	74,6	13	40	36,7	2	9	
06263-10801003	reamed hole with slot	without transverse hole	steel	25	80	10H7	19	14	M4	-	30	2,5	17,6	-	74,6	13	40	36,7	3	11,4	
06263-10801204	reamed hole with slot	without transverse hole	steel	25	80	12H7	19	14	M4	-	30	2,5	17,6	-	74,6	13	40	36,7	4	13,8	
06263-21001003	reamed hole with slot	without transverse hole	steel	28	100	10H7	19	16	M5	-	38	3	20,1	-	90,2	13	49,1	43,5	3	11,4	
06263-21001204	reamed hole with slot	without transverse hole	steel	28	100	12H7	19	16	M5	-	38	3	20,1	-	90,2	13	49,1	43,5	4	13,8	
06263-31251204	reamed hole with slot	without transverse hole	steel	35	125	12H7	25	20	M6	-	47,5	4	23,3	-	110,7	18,5	61,4	52,1	4	13,8	
06263-31251405	reamed hole with slot	without transverse hole	steel	35	125	14H7	25	20	M6	-	47,5	4	23,3	-	110,7	18,5	61,4	52,1	5	16,3	
06263-31251605	reamed hole with slot	without transverse hole	steel	35	125	16H7	25	20	M6	-	47,5	4	23,3	-	110,7	18,5	61,4	52,1	5	18,3	
06263-41601405	reamed hole with slot	without transverse hole	steel	45	160	14H7	25	25	M8	-	62	5,6	28	-	143	18,5	82,5	63,8	5	16,3	
06263-41601605	reamed hole with slot	without transverse hole	steel	45	160	16H7	25	25	M8	-	62	5,6	28	-	143	18,5	82,5	63,8	5	18,3	
06263-1080086	reamed hole	with transverse bore	steel	25	80	8H7	19	14	M4	M6	30	2,5	17,6	7,5	74,6	13	40	36,7	-	-	
06263-1080106	reamed hole	with transverse bore	steel	25	80	10H7	19	14	M4	M6	30	2,5	17,6	7,5	74,6	13	40	36,7	-	-	
06263-1080126	reamed hole	with transverse bore	steel	25	80	12H7	19	14	M4	M6	30	2,5	17,6	7,5	74,6	13	40	36,7	-	-	
06263-2100106	reamed hole	with transverse bore	steel	28	100	10H7	19	16	M5	M6	38	3	20,1	7,5	90,2	13	49,1	43,5	-	-	
06263-2100126	reamed hole	with transverse bore	steel	28	100	12H7	19	16	M5	M6	38	3	20,1	7,5	90,2	13	49,1	43,5	-	-	
06263-3125126	reamed hole	with transverse bore	steel	35	125	12H7	25	20	M6	M6	47,5	4	23,3	7,5	110,7	18,5	61,4	52,1	-	-	
06263-3125146	reamed hole	with transverse bore	steel	35	125	14H7	25	20	M6	M6	47,5	4	23,3	7,5	110,7	18,5	61,4	52,1	-	-	
06263-3125166	reamed hole	with transverse bore	steel	35	125	16H7	25	20	M6	M6	47,5	4	23,3	7,5	110,7	18,5	61,4	52,1	-	-	
06263-4160146	reamed hole	with transverse bore	steel	45	160	14H7	25	25	M8	M6	62	5,6	28	7,5	143	18,5	82,5	63,8	-	-	
06263-4160166	reamed hole	with transverse bore	steel	45	160	16H7	25	25	M8	M6	62	5,6	28	7,5	143	18,5	82,5	63,8	-	-	
06263-108008026	reamed hole with slot	with transverse bore	steel	25	80	8H7	19	14	M4	M6	30	2,5	17,6	7,5	74,6	13	40	36,7	2	9	
06263-108010036	reamed hole with slot	with transverse bore	steel	25	80	10H7	19	14	M4	M6	30	2,5	17,6	7,5	74,6	13	40	36,7	3	11,4	
06263-108012046	reamed hole with slot	with transverse bore	steel	25	80	12H7	19	14	M4	M6	30	2,5	17,6	7,5	74,6	13	40	36,7	4	13,8	
06263-210010036	reamed hole with slot	with transverse bore	steel	28	100	10H7	19	16	M5	M6	38	3	20,1	7,5	90,2	13	49,1	43,5	3	11,4	
06263-210012046	reamed hole with slot	with transverse bore	steel	28	100	12H7	19	16	M5	M6	38	3	20,1	7,5	90,2	13	49,1	43,5	4	13,8	
06263-312512046	reamed hole with slot	with transverse bore	steel	35	125	12H7	25	20	M6	M6	47,5	4	23,3	7,5	110,7	18,5	61,4	52,1	4	13,8	
06263-312514056	reamed hole with slot	with transverse bore	steel	35	125	14H7	25	20	M6	M6	47,5	4	23,3	7,5	110,7	18,5	61,4	52,1	5	16,3	
06263-312516056	reamed hole with slot	with transverse bore	steel	35	125	16H7	25	20	M6	M6	47,5	4	23,3	7,5	110,7	18,5	61,4	52,1	5	18,3	
06263-416014056	reamed hole with slot	with transverse bore	steel	45	160	14H7	25	25	M8	M6	62	5,6	28	7,5	143	18,5	82,5	63,8	5	16,3	
06263-416016056	reamed hole with slot	with transverse bore	steel	45	160	16H7	25	25	M8	M6	62	5,6	28	7,5	143	18,5	82,5	63,8	5	18,3	
06263-0108008	reamed hole	without transverse hole	stainless steel	25	80	8H7	19	14	M4	-	30	2,5	17,6	-	74,6	13	40	36,7	-	-	
06263-0108010	reamed hole	without transverse hole	stainless steel	25	80	10H7	19	14	M4	-	30	2,5	17,6	-	74,6	13	40	36,7	-	-	
06263-0108012	reamed hole	without transverse hole	stainless steel	25	80	12H7	19	14	M4	-	30	2,5	17,6	-	74,6	13	40	36,7	-	-	
06263-0210010	reamed hole	without transverse hole	stainless steel	28	100	10H7	19	16	M5	-	38	3	20,1	-	90,2	13	49,1	43,5	-	-	
06263-0210012	reamed hole	without transverse hole	stainless steel	28	100	12H7	19	16	M5	-	38	3	20,1	-	90,2	13	49,1	43,5	-	-	
06263-0312512	reamed hole	without transverse hole	stainless steel	35	125	12H7	25	20	M6	-	47,5	4	23,3	-	110,7	18,5	61,4	52,1	-	-	
06263-0312514	reamed hole	without transverse hole	stainless steel	35	125	14H7	25	20	M6	-	47,5	4	23,3	-	110,7	18,5	61,4	52,1	-	-	
06263-0312516	reamed hole	without transverse hole	stainless steel	35	125	16H7	25	20	M6	-	47,5	4	23,3	-	110,7	18,5	61,4	52,1	-	-	
06263-0416014	reamed hole	without transverse hole	stainless steel	45	160	14H7	25	25	M8	-	62	5,6	28	-	143	18,5	82,5	63,8	-	-	
06263-0416016	reamed hole	without transverse hole	stainless steel	45	160	16H7	25	25	M8	-	62	5,6	28	-	143	18,5	82,5	63,8	-	-	

Overview of items

Order No.	Version 1	Version 2	Component material	D	D1	D2	D3	D4	D5	D7	A	A1	H	H2	L	L1	L2	L3	B3	T
06263-010800802	reamed hole with slot	without transverse hole	stainless steel	25	80	8H7	19	14	M4	-	30	2,5	17,6	-	74,6	13	40	36,7	2	9
06263-010801003	reamed hole with slot	without transverse hole	stainless steel	25	80	10H7	19	14	M4	-	30	2,5	17,6	-	74,6	13	40	36,7	3	11,4
06263-010801204	reamed hole with slot	without transverse hole	stainless steel	25	80	12H7	19	14	M4	-	30	2,5	17,6	-	74,6	13	40	36,7	4	13,8
06263-021001003	reamed hole with slot	without transverse hole	stainless steel	28	100	10H7	19	16	M5	-	38	3	20,1	-	90,2	13	49,1	43,5	3	11,4
06263-021001204	reamed hole with slot	without transverse hole	stainless steel	28	100	12H7	19	16	M5	-	38	3	20,1	-	90,2	13	49,1	43,5	4	13,8
06263-031251204	reamed hole with slot	without transverse hole	stainless steel	35	125	12H7	25	20	M6	-	47,5	4	23,3	-	110,7	18,5	61,4	52,1	4	13,8
06263-031251405	reamed hole with slot	without transverse hole	stainless steel	35	125	14H7	25	20	M6	-	47,5	4	23,3	-	110,7	18,5	61,4	52,1	5	16,3
06263-031251605	reamed hole with slot	without transverse hole	stainless steel	35	125	16H7	25	20	M6	-	47,5	4	23,3	-	110,7	18,5	61,4	52,1	5	18,3
06263-041601405	reamed hole with slot	without transverse hole	stainless steel	45	160	14H7	25	25	M8	-	62	5,6	28	-	143	18,5	82,5	63,8	5	16,3
06263-041601605	reamed hole with slot	without transverse hole	stainless steel	45	160	16H7	25	25	M8	-	62	5,6	28	-	143	18,5	82,5	63,8	5	18,3
06263-01080086	reamed hole	with transverse bore	stainless steel	25	80	8H7	19	14	M4	M6	30	2,5	17,6	7,5	74,6	13	40	36,7	-	-
06263-01080106	reamed hole	with transverse bore	stainless steel	25	80	10H7	19	14	M4	M6	30	2,5	17,6	7,5	74,6	13	40	36,7	-	-
06263-01080126	reamed hole	with transverse bore	stainless steel	25	80	12H7	19	14	M4	M6	30	2,5	17,6	7,5	74,6	13	40	36,7	-	-
06263-02100106	reamed hole	with transverse bore	stainless steel	28	100	10H7	19	16	M5	M6	38	3	20,1	7,5	90,2	13	49,1	43,5	-	-
06263-02100126	reamed hole	with transverse bore	stainless steel	28	100	12H7	19	16	M5	M6	38	3	20,1	7,5	90,2	13	49,1	43,5	-	-
06263-03125126	reamed hole	with transverse bore	stainless steel	35	125	12H7	25	20	M6	M6	47,5	4	23,3	7,5	110,7	18,5	61,4	52,1	-	-
06263-03125146	reamed hole	with transverse bore	stainless steel	35	125	14H7	25	20	M6	M6	47,5	4	23,3	7,5	110,7	18,5	61,4	52,1	-	-
06263-03125166	reamed hole	with transverse bore	stainless steel	35	125	16H7	25	20	M6	M6	47,5	4	23,3	7,5	110,7	18,5	61,4	52,1	-	-
06263-04160146	reamed hole	with transverse bore	stainless steel	45	160	14H7	25	25	M8	M6	62	5,6	28	7,5	143	18,5	82,5	63,8	-	-
06263-04160166	reamed hole	with transverse bore	stainless steel	45	160	16H7	25	25	M8	M6	62	5,6	28	7,5	143	18,5	82,5	63,8	-	-
06263-0108008026	reamed hole with slot	with transverse bore	stainless steel	25	80	8H7	19	14	M4	M6	30	2,5	17,6	7,5	74,6	13	40	36,7	2	9
06263-0108010036	reamed hole with slot	with transverse bore	stainless steel	25	80	10H7	19	14	M4	M6	30	2,5	17,6	7,5	74,6	13	40	36,7	3	11,4
06263-0108012046	reamed hole with slot	with transverse bore	stainless steel	25	80	12H7	19	14	M4	M6	30	2,5	17,6	7,5	74,6	13	40	36,7	4	13,8
06263-0210010036	reamed hole with slot	with transverse bore	stainless steel	28	100	10H7	19	16	M5	M6	38	3	20,1	7,5	90,2	13	49,1	43,5	3	11,4
06263-0210012046	reamed hole with slot	with transverse bore	stainless steel	28	100	12H7	19	16	M5	M6	38	3	20,1	7,5	90,2	13	49,1	43,5	4	13,8
06263-0312512046	reamed hole with slot	with transverse bore	stainless steel	35	125	12H7	25	20	M6	M6	47,5	4	23,3	7,5	110,7	18,5	61,4	52,1	4	13,8
06263-0312514056	reamed hole with slot	with transverse bore	stainless steel	35	125	14H7	25	20	M6	M6	47,5	4	23,3	7,5	110,7	18,5	61,4	52,1	5	16,3
06263-0312516056	reamed hole with slot	with transverse bore	stainless steel	35	125	16H7	25	20	M6	M6	47,5	4	23,3	7,5	110,7	18,5	61,4	52,1	5	18,3
06263-0416014056	reamed hole with slot	with transverse bore	stainless steel	45	160	14H7	25	25	M8	M6	62	5,6	28	7,5	143	18,5	82,5	63,8	5	16,3
06263-0416016056	reamed hole with slot	with transverse bore	stainless steel	45	160	16H7	25	25	M8	M6	62	5,6	28	7,5	143	18,5	82,5	63,8	5	18,3