

## Item description/product images



## Description

**Material:**

Shaft collar plastic.  
Screw and nut stainless steel.

**Note:**

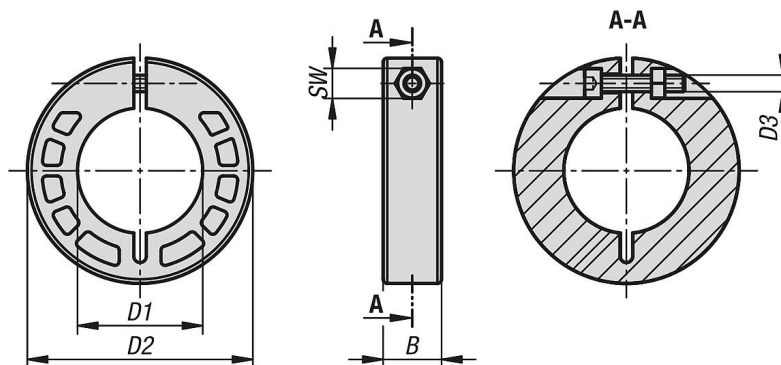
These plastic shaft collars are an excellent solution for axially securing shafts.

They are light and easy to fit and can be mounted radially as a stop. These shaft collars are especially effective in combination with pillow block and flange block bearings.

The shaft collars are made from high-quality plastic and offer excellent resistance to corrosion and wear.

Clamping is achieved by reducing the slot width via the stainless steel tightening nut, which can be tightened or loosened using a standard spanner.

## Drawings



## Overview of items

Order No.	B	D1	D2	D3	SW
07810-05-20	14	20	40	M4	3
07810-05-25	14	25	45	M4	3
07810-05-30	14	30	54	M4	3
07810-05-40	14	40	60	M4	3
07810-05-50	18	50	78	M6	5