

## Item description/product images



## Description

## Material:

Thermoset PF 31, black.

Steel bush and stud, electro zinc-plated.

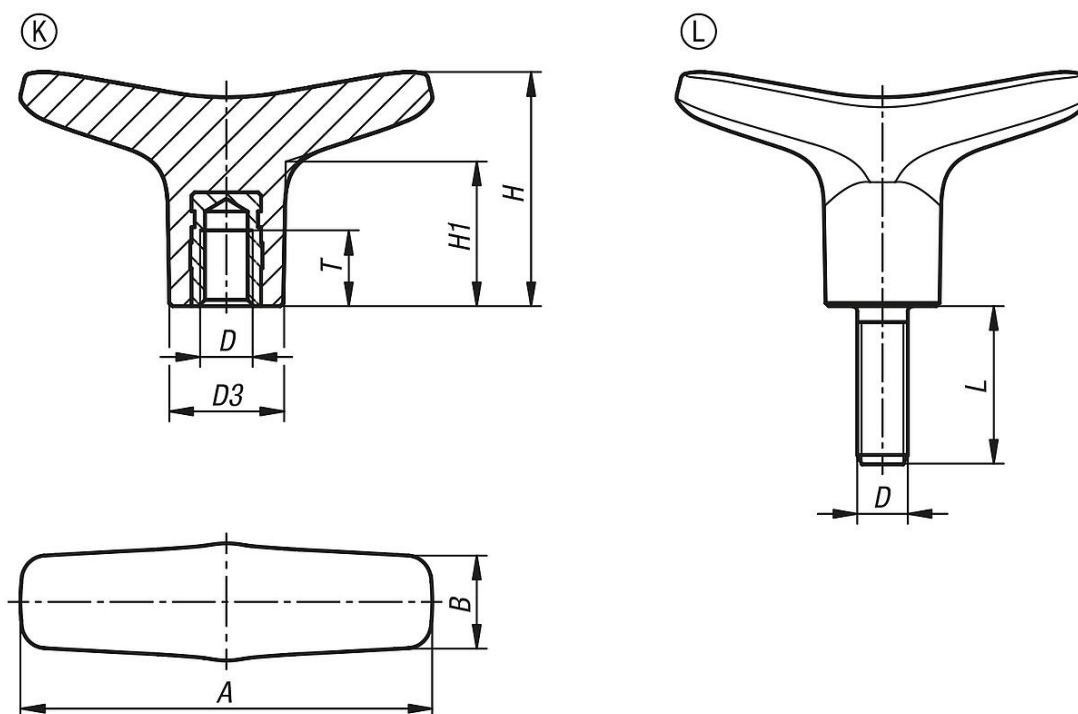
## Version:

High-gloss polished.

## On request:

Other screw sizes, screw lengths and colours.

## Drawings



## Overview of items

Order No.	Form	Thread type	A	B	D	D3	H	H1	L	T
06650-01-16506	K	internal thread	65,1	14,6	M6	18	37	22,9	-	9
06650-01-16508	K	internal thread	65,1	14,6	M8	18	37	22,9	-	12
06650-01-17508	K	internal thread	75,1	18,4	M8	22	41,2	25,2	-	12
06650-01-17510	K	internal thread	75,1	18,4	M10	22	41,2	25,2	-	15
06650-01-18510	K	internal thread	85,2	19,6	M10	24	44,8	26,5	-	15
06650-01-18512	K	internal thread	85,2	19,6	M12	24	44,8	26,5	-	18
06650-01-26506X20	L	external thread	65,1	14,6	M6	18	37	22,9	20	-
06650-01-26506X25	L	external thread	65,1	14,6	M6	18	37	22,9	25	-
06650-01-26506X30	L	external thread	65,1	14,6	M6	18	37	22,9	30	-
06650-01-26506X40	L	external thread	65,1	14,6	M6	18	37	22,9	40	-
06650-01-26508X20	L	external thread	65,1	14,6	M8	18	37	22,9	20	-
06650-01-26508X25	L	external thread	65,1	14,6	M8	18	37	22,9	25	-
06650-01-26508X30	L	external thread	65,1	14,6	M8	18	37	22,9	30	-
06650-01-26508X40	L	external thread	65,1	14,6	M8	18	37	22,9	40	-
06650-01-27508X20	L	external thread	75,1	18,4	M8	22	41,2	25,2	20	-
06650-01-27508X25	L	external thread	75,1	18,4	M8	22	41,2	25,2	25	-
06650-01-27508X30	L	external thread	75,1	18,4	M8	22	41,2	25,2	30	-
06650-01-27508X40	L	external thread	75,1	18,4	M8	22	41,2	25,2	40	-

## Overview of items

Order No.	Form	Thread type	A	B	D	D3	H	H1	L	T
06650-01-27510X30	L	external thread	75,1	18,4	M10	22	41,2	25,2	30	-
06650-01-27510X40	L	external thread	75,1	18,4	M10	22	41,2	25,2	40	-
06650-01-27510X50	L	external thread	75,1	18,4	M10	22	41,2	25,2	50	-
06650-01-28510X30	L	external thread	85,2	19,6	M10	24	44,8	26,5	30	-
06650-01-28510X40	L	external thread	85,2	19,6	M10	24	44,8	26,5	40	-
06650-01-28510X50	L	external thread	85,2	19,6	M10	24	44,8	26,5	50	-
06650-01-28512X30	L	external thread	85,2	19,6	M12	24	44,8	26,5	30	-
06650-01-28512X40	L	external thread	85,2	19,6	M12	24	44,8	26,5	40	-
06650-01-28512X50	L	external thread	85,2	19,6	M12	24	44,8	26,5	50	-