

## Item description/product images



## Description

**Material:**

Stainless steel 1.4404.

**Version:**

matt blasted.

**Note:**

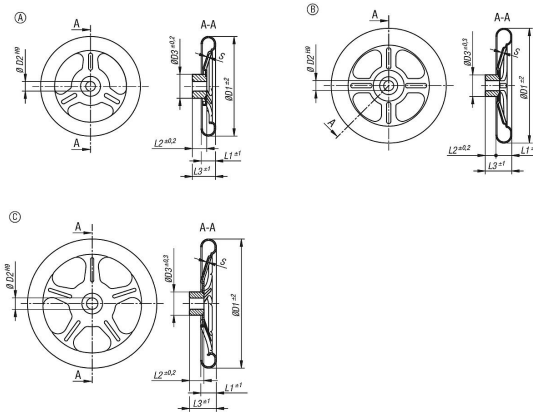
Hub welded.

Form A: 3-spoke

Form B: 4-spoke

Form C: 5-spoke

## Drawings



## Overview of items

Order No.	Form	Form definition	D1	D2	D3	L1	L2	L3	S	Number of spokes
06289-12-0125X12	A	3-spoke	125	12H9	30	18	18	29	1,5	3
06289-12-0125X14	A	3-spoke	125	14H9	30	18	18	29	1,5	3
06289-12-0160X14	B	4-spoke	160	14H9	30	22	20	37	1,5	4
06289-12-0160X16	B	4-spoke	160	16H9	30	22	20	37	1,5	4
06289-12-0200X18	B	4-spoke	200	18H9	40	22	24	46	2	4
06289-12-0200X22	B	4-spoke	200	22H9	40	22	24	46	2	4
06289-12-0250X22	C	5-spoke	250	22H9	45	30	28	52	2,5	5
06289-12-0250X26	C	5-spoke	250	26H9	45	30	28	52	2,5	5
06289-12-0315X26	C	5-spoke	315	26H9	55	35	33	64	2,5	5
06289-12-0315X30	C	5-spoke	315	30H9	55	35	33	64	2,5	5
06289-12-0400X30	C	5-spoke	400	30H9	65	40	38	82	3	5