

Item description/product images



Description

Material:

Handle stainless steel 1.4404.
Fastening material 1.4404.

Version:

Polished.

Assembly:

From the rear.

On request:

Special lengths.

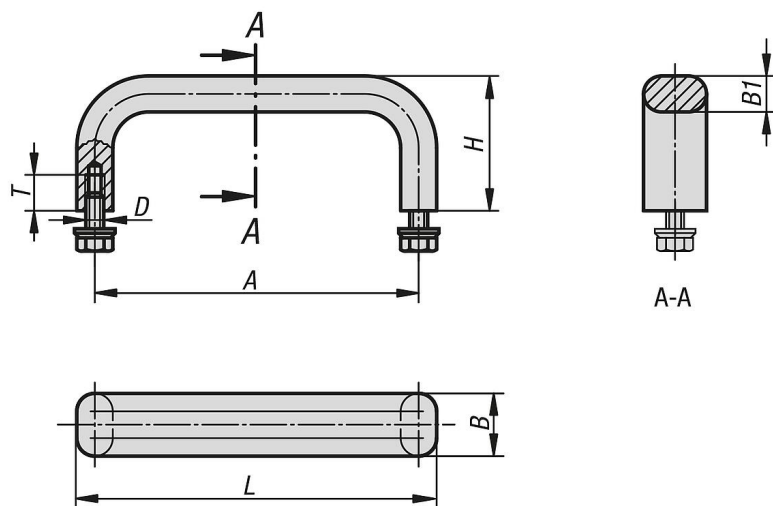
Supplied with:

Pull handle stainless steel (06924).
Hex head bolts DIN 933 (07171).
Washers DIN EN ISO 7089 (07300).

Accessory:

Hex head bolt with shaft (07170).
Hex head bolt DIN 933 (07171).
Hex head bolt with flange (07172).
Button head screws (07174).

Drawings



Overview of items

Order No.	A	B	B1	D	H	L	T	Load capacity N
06924-05505	55	12	8	M5x10	40	63	10	1000
06924-08805	88	12	8	M5x10	40	96	10	1000
06924-10005	100	12	8	M5x10	40	108	10	1000
06924-12005	120	12	8	M5x10	40	128	10	1000
06924-15005	150	12	8	M5x10	40	158	10	1000
06924-18005	180	12	8	M5x10	40	188	10	1000
06924-20005	200	12	8	M5x10	40	208	10	1000

Overview of items

Order No.	A	B	B1	D	H	L	T	Load capacity N
06924-23505	235	12	8	M5x10	40	243	10	1000
06924-25005	250	12	8	M5x10	40	258	10	1000
06924-10006	100	19,5	10	M6x12	45	110	12	1000
06924-12006	120	19,5	10	M6x12	45	130	12	1000
06924-15006	150	19,5	10	M6x12	45	160	12	1000
06924-18006	180	19,5	10	M6x12	45	190	12	1000
06924-20006	200	20	10	M6x12	45	210	12	1000
06924-23506	235	20	10	M6x12	45	245	12	1000
06924-25006	250	19,5	10	M6x12	45	260	12	1000
06924-35006	350	20	10	M6x12	45	360	12	1000