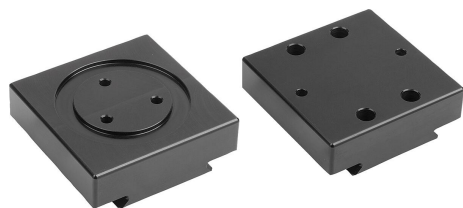


Item description/product images



Description

Material:
Adapter aluminium.

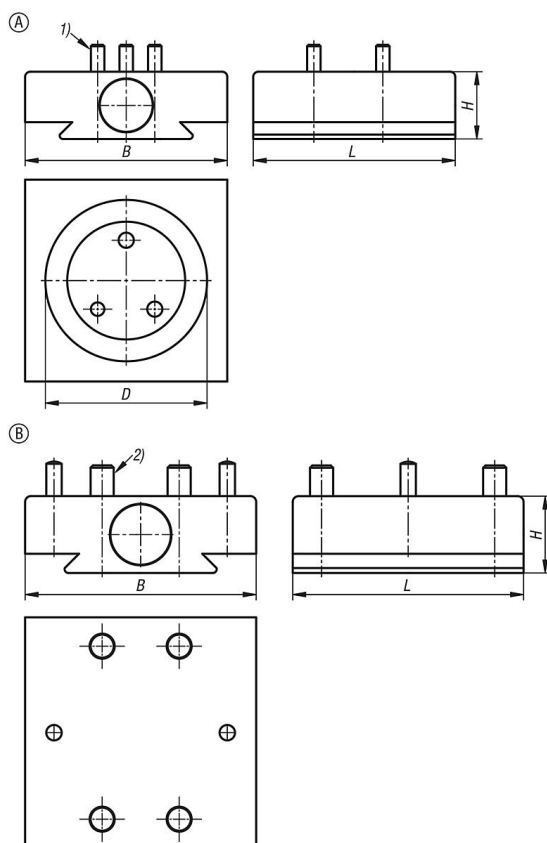
Version:
Hard-coated aluminium.

Note:
The aluminium adapters for three-jaw chucks are accessories to the three-jaw chucks. By using this adapter together with a quick-action clamp, a three-jaw chuck can be connected to a quick-change system. The adapter enables the three-jaw chuck to be mounted onto various quick-action clamps quickly and effectively.

Accessory:
Three-jaw chuck 33226, angle element 33227-10 and quick-action clamp 33227-05.

Drawing reference:
1) DIN 912 M4x20
2) DIN 912 M6x20

Drawings



Overview of items

Order No.	Form	B	D	H	L	Suitable for
33226-05-5064	A	60	48	20	60	33226-50, 33226-64
33226-05-100160	B	60	-	20	60	33226-100, 33226-160

