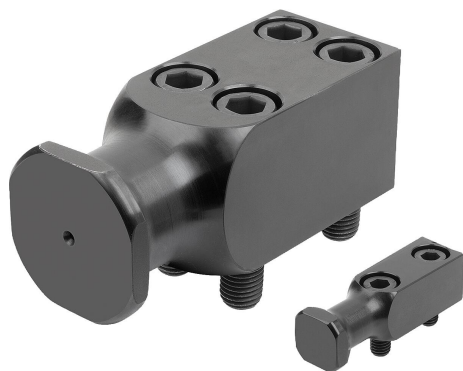


Item description/product images



Description

Material:

Steel 1.1191 (CK45). Tensile strength $\approx 700 \text{ N/mm}^2$.

Version:

Black oxidised.

Note:

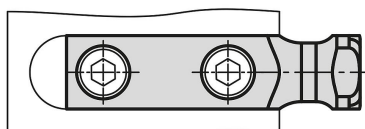
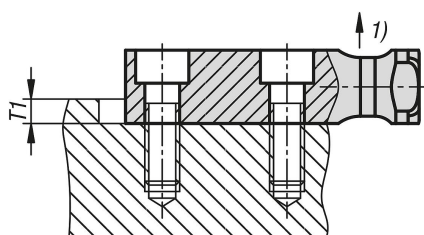
Hoist pins acc. to VDI 3366.

As a rule, there should always be four hoist pins fitted. When using four hoist pins, it should be ensured that two hoist pins carry the entire weight of the tool. Thus, when rotating the tool, the load can be distributed across two hoist pins.

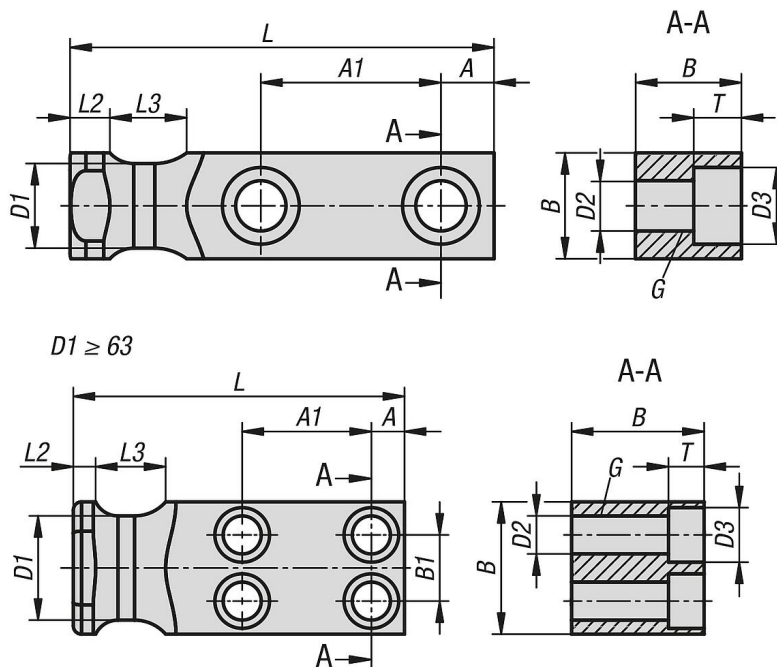
Supplied with cap screws.

Drawing reference:

1) kg max.



Drawings



Overview of items

Order No.	A	A1	B	B1	D1	D2	D3	G for socket head screw	L	L2	L3	T	T1	Permissible load kg
07679-01-16	10	34	20	-	16	9,5	14,5	M8x25	80	6	20	9	6	320
07679-01-20	10	37	25	-	20	11,5	17,5	M10x30	90	8	25	11	8	630

Overview of items

Order No.	A	A1	B	B1	D1	D2	D3	G for socket head screw	L	L2	L3	T	T1	Permissible load kg
07679-01-25	12	38	35	-	25	14	20	M12x40	100	8	30	13	10	1250
07679-01-32	16	46	40	-	32	18	26	M16x45	120	10	32	17,5	10	2000
07679-01-40	18	54	50	-	40	23	33	M20x60	140	10	40	21,5	12	3200
07679-01-50	22	59	60	-	50	27	39	M24x70	160	12	45	25	14	5000
07679-01-63	20	78	80	40	63	23	33	M20x100	200	12	50	21,5	16	8000