

Item description/product images



Description

Material:

Centring clamp QT steel.
Spring stainless steel

Version:

Centring clamp hardened (47-53 HRC) and black oxidised.
Spring bright.

Note:

Centring clamps enable a workpiece to be centred and clamped over a bore.

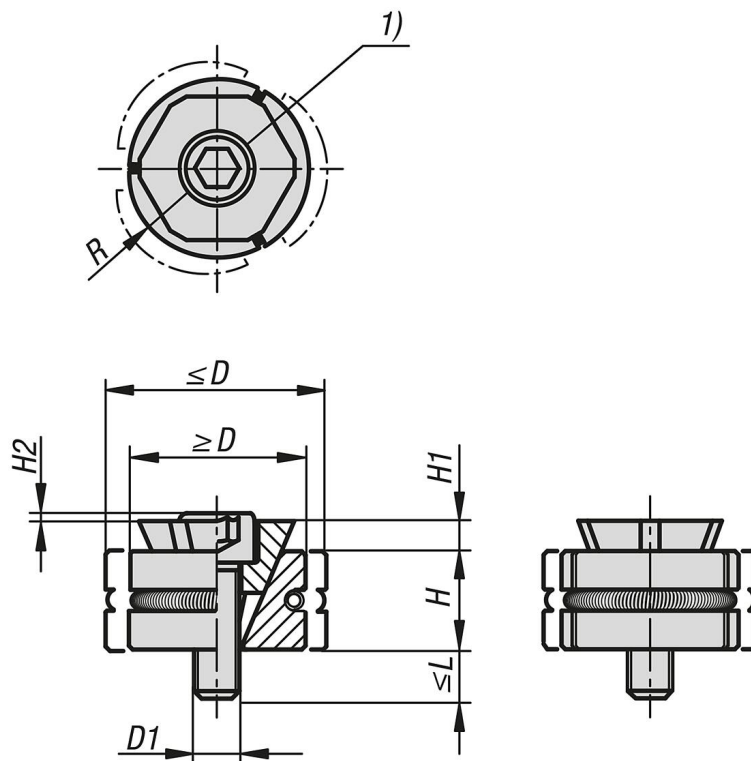
During the clamping process, the clamping force acts punctually to the bore wall.

Drawing reference:

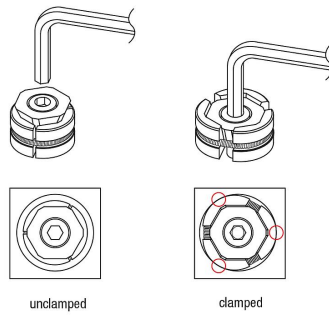
Dimension H1 refers to the height at D min.

1) Cap screw

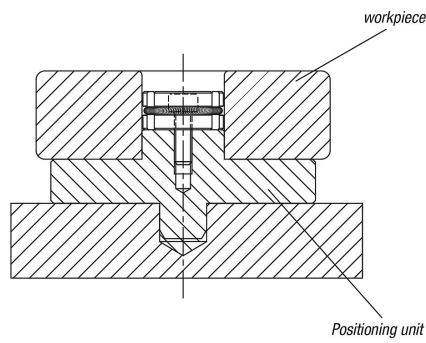
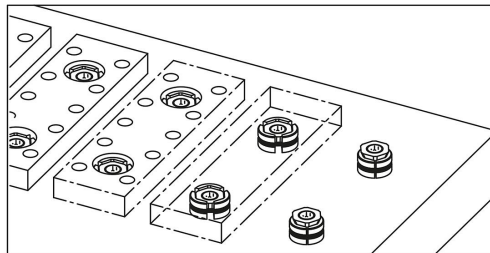
Drawings



Drawings



Note:
The clamp makes point contact with the bore wall when clamped.



Overview of items

Order No.	D min.	D max.	D1	L max.	H	H1	H2	R	Tightening torque max. Nm	Clamping force kN
03164-05-04024	19,5	24	M4x12	9,4	9	2,5	0,5	9,5	3,2	2
03164-05-06029	23,5	29	M6x18	13	13	4	0,5	11,5	10,5	5
03164-05-08036	28,5	36	M8x25	19	17	5,5	0,5	14	25	9