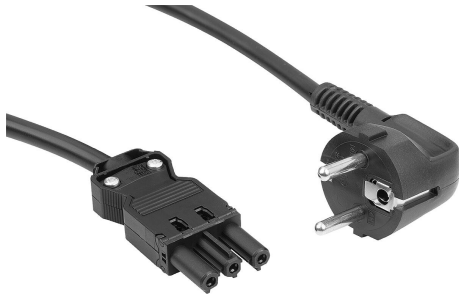


Item description/product images



for electrics



Description

Material:

Cable insulation: PVC plastic.

Plug: PA plastic.

Contacts: CuZn, tin plated.

Version:

Black.

Note:

Mains cable for power supply of socket strips and LED lamps.

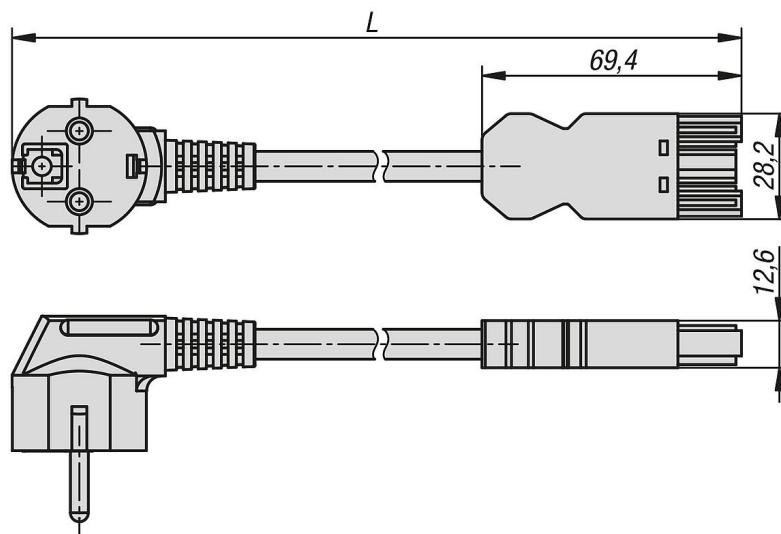
Side 1: Right-angled safety plug.

Side 2: GST18i3 socket. Self-locking (can be released with tools).

Temperature range:

Permanent temperature resistance 70 °C.

Drawings



Overview of items

Order No.	L	No. of conductors x conductor cross-section	Rated voltage V	Rated current A	Cable type	Safety rating
80161-12X2000	2000	N=3X1,5 MM ²	250	16	H05VV-F	IP20
80161-12X4000	4000	N=3X1,5 MM ²	250	16	H05VV-F	IP20