

Item description/product images



Description

Material:

Main component polypropylene (PP).
Soft components thermoplastic elastomer.
Tapped bushes brass.

Version:

Main component black.
Soft components black, orange, yellow, red, green, blue, grey.
Tapped bushes electro zinc-plated.

Note:

Excellent carrying and gripping comfort thanks to its soft inner surface.

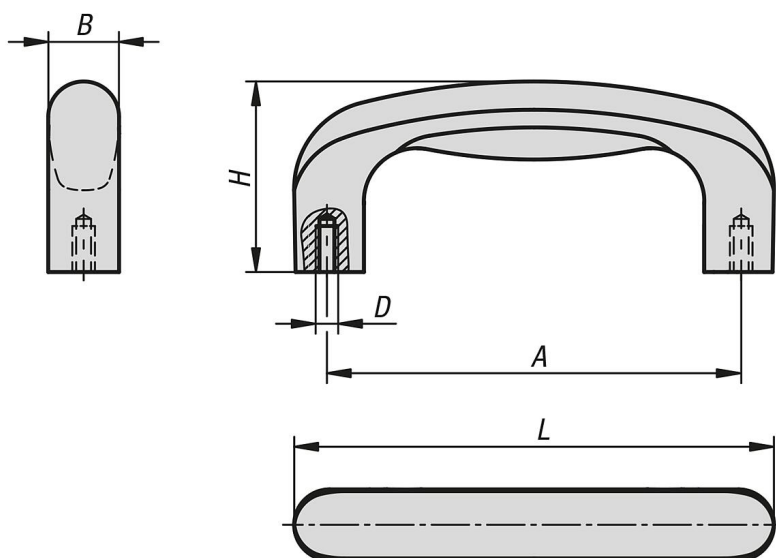
Assembly:

From the rear.

On request:

Main components grey with other colour combinations.

Drawings



Overview of items

Order No.	Component colour	A	B	D	H	L	Load capacity N
06913-10-094A111	black	93,7	16,3	10-32	48,8	105	500
06913-10-094A1187	blue	93,7	16,3	10-32	48,8	105	500
06913-10-094A1186	green	93,7	16,3	10-32	48,8	105	500
06913-10-094A1184	red	93,7	16,3	10-32	48,8	105	500
06913-10-094A112	orange	93,7	16,3	10-32	48,8	105	500
06913-10-094A1116	yellow	93,7	16,3	10-32	48,8	105	500
06913-10-094A1188	grey	93,7	16,3	10-32	48,8	105	500
06913-10-117A111	black	117	20,6	10-32	53,8	134,7	500
06913-10-117A1187	blue	117	20,6	10-32	53,8	134,7	500
06913-10-117A1186	green	117	20,6	10-32	53,8	134,7	500
06913-10-117A1184	red	117	20,6	10-32	53,8	134,7	500

Overview of items

Order No.	Component colour	A	B	D	H	L	Load capacity N
06913-10-117A112	orange	117	20,6	10-32	53,8	134,7	500
06913-10-117A116	yellow	117	20,6	10-32	53,8	134,7	500
06913-10-117A1188	grey	117	20,6	10-32	53,8	134,7	500
06913-10-154A211	black	148,5	26,7	1/4-20	65	170,3	500
06913-10-154A2187	blue	148,5	26,7	1/4-20	65	170,3	500
06913-10-154A2186	green	148,5	26,7	1/4-20	65	170,3	500
06913-10-154A2184	red	148,5	26,7	1/4-20	65	170,3	500
06913-10-154A212	orange	148,5	26,7	1/4-20	65	170,3	500
06913-10-154A2116	yellow	148,5	26,7	1/4-20	65	170,3	500
06913-10-154A2188	grey	148,5	26,7	1/4-20	65	170,3	500