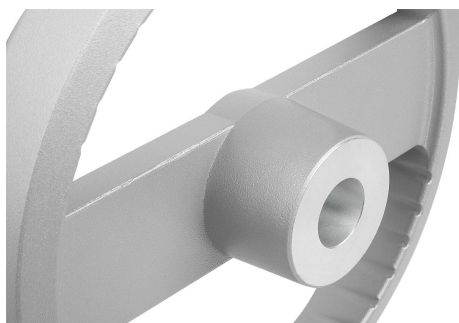
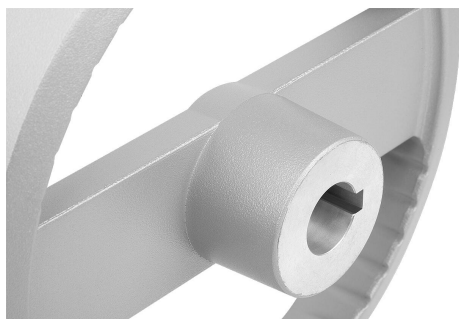
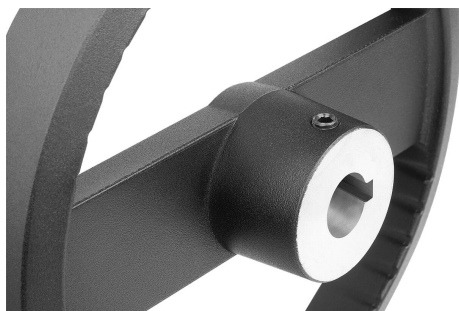
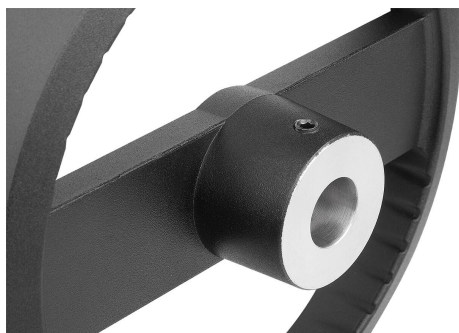


Item description/product images

**Description****Material:**

Handwheel aluminium.
Hub cover black thermoplastic.
ISO 4027 grub screw, steel grade 45 H, black.

Version:

Black or silver powder-coated.

With reamed hole.
With reamed hole and keyway.
With reamed hole and transverse bore.
With reamed hole, keyway and transverse bore.

Note:

Wheel rim radial and axial run-out ≤ 0.4 mm.

Assembly:

The hub cover is supplied unassembled.
The handwheels can be secured to a shaft using a transverse pin or by parallel key connection together with a DIN 6912 cap screw and a handwheel washer 07375.
By the versions with transverse bore, fixation is carried out using an ISO 4027 grub screw.

Supplied with:

Aluminium handwheel.
Hub cover.
ISO 4027 grub screw (type with transverse bore).

Accessory:

07375 Handwheel washers.
07161 Socket head screws with low head DIN 6912.

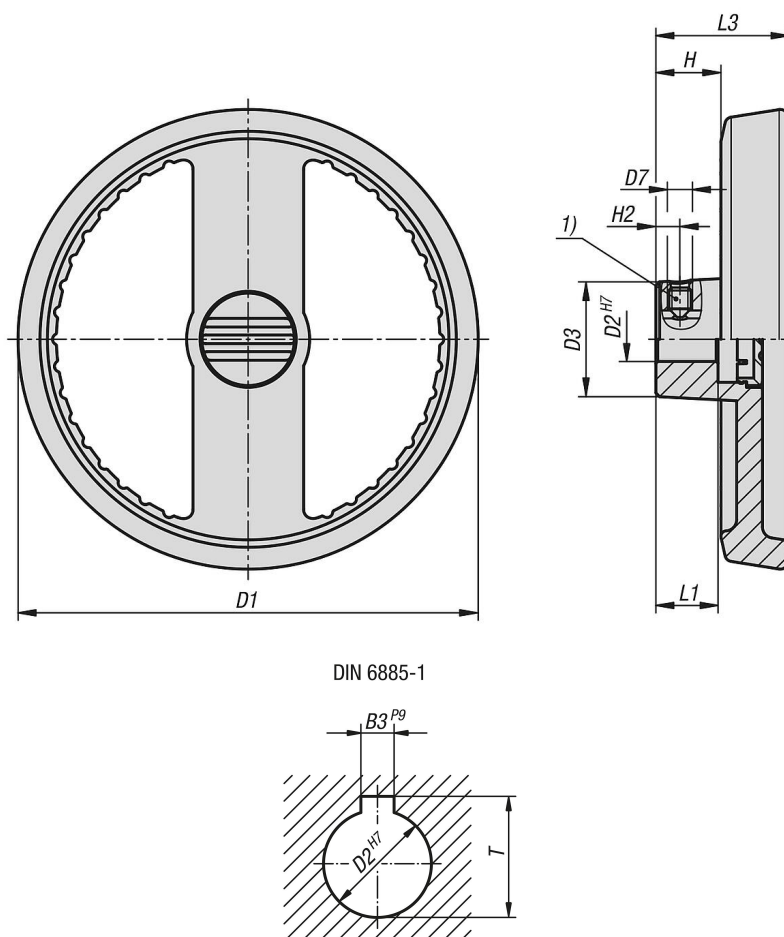
Drawing reference:

1) Position of the transverse bore to the keyway is offset by 90° .

Item description/product images



Drawings



Overview of items

Order No.	Main colour	Form	Form definition	D1	D2	D3	L1	L3	H	H2	D7	B3	T
06276-10-1251216	black	A	reamed hole with transverse bore	125	12	31	18	36	17,6	6,5	M6	-	-

Overview of items

Order No.	Main colour	Form	Form definition	D1	D2	D3	L1	L3	H	H2	D7	B3	T
06276-10-1251416	black	A	reamed hole with tranverse bore	125	14	31	18	36	17,6	6,5	M6	-	-
06276-10-1601416	black	A	reamed hole with tranverse bore	160	14	36	20	40	19,4	6,5	M6	-	-
06276-10-1601616	black	A	reamed hole with tranverse bore	160	16	36	20	40	19,4	8	M6	-	-
06276-10-1251226	silver	A	reamed hole with tranverse bore	125	12	31	18	36	17,6	6,5	M6	-	-
06276-10-1251426	silver	A	reamed hole with tranverse bore	125	14	31	18	36	17,6	6,5	M6	-	-
06276-10-1601426	silver	A	reamed hole with tranverse bore	160	14	36	20	40	19,4	6,5	M6	-	-
06276-10-1601626	silver	A	reamed hole with tranverse bore	160	16	36	20	40	19,4	8	M6	-	-
06276-10-125121046	black	B	reamed hole with slot, with transverse bore	125	12	31	18	36	17,6	6,5	M6	4	13,8
06276-10-125141056	black	B	reamed hole with slot, with transverse bore	125	14	31	18	36	17,6	6,5	M6	5	16,3
06276-10-160141056	black	B	reamed hole with slot, with transverse bore	160	14	36	20	40	19,4	6,5	M6	5	16,3
06276-10-160161056	black	B	reamed hole with slot, with transverse bore	160	16	36	20	40	19,4	8	M6	5	18,3
06276-10-125122046	silver	B	reamed hole with slot, with transverse bore	125	12	31	18	36	17,6	6,5	M6	4	13,8
06276-10-125142056	silver	B	reamed hole with slot, with transverse bore	125	14	31	18	36	17,6	6,5	M6	5	16,3
06276-10-160142056	silver	B	reamed hole with slot, with transverse bore	160	14	36	20	40	19,4	6,5	M6	5	16,3
06276-10-160162056	silver	B	reamed hole with slot, with transverse bore	160	16	36	20	40	19,4	8	M6	5	18,3
06276-10-12512104	black	C	reamed hole with slot	125	12	31	18	36	17,6	-	-	4	13,8
06276-10-12514105	black	C	reamed hole with slot	125	14	31	18	36	17,6	-	-	5	16,3
06276-10-16014105	black	C	reamed hole with slot	160	14	36	20	40	19,4	-	-	5	16,3
06276-10-16016105	black	C	reamed hole with slot	160	16	36	20	40	19,4	-	-	5	18,3
06276-10-12512204	silver	C	reamed hole with slot	125	12	31	18	36	17,6	-	-	4	13,8
06276-10-12514205	silver	C	reamed hole with slot	125	14	31	18	36	17,6	-	-	5	16,3
06276-10-16014205	silver	C	reamed hole with slot	160	14	36	20	40	19,4	-	-	5	16,3
06276-10-16016205	silver	C	reamed hole with slot	160	16	36	20	40	19,4	-	-	5	18,3
06276-10-125121	black	E	with reamed hole	125	12	31	18	36	17,6	-	-	-	-
06276-10-125141	black	E	with reamed hole	125	14	31	18	36	17,6	-	-	-	-
06276-10-160141	black	E	with reamed hole	160	14	36	20	40	19,4	-	-	-	-
06276-10-160161	black	E	with reamed hole	160	16	36	20	40	19,4	-	-	-	-
06276-10-125122	silver	E	with reamed hole	125	12	31	18	36	17,6	-	-	-	-
06276-10-125142	silver	E	with reamed hole	125	14	31	18	36	17,6	-	-	-	-
06276-10-160142	silver	E	with reamed hole	160	14	36	20	40	19,4	-	-	-	-
06276-10-160162	silver	E	with reamed hole	160	16	36	20	40	19,4	-	-	-	-