

Item description/product images



by MARTIN

Levelling Components



Description

Material:

Sleeve stainless steel 1.4301.
Rubber seal silicon, FDA certified.

Version:

Sleeve high-gloss polished.
Rubber seal, blue.

Note:

Certified according to 3-A Sanitary Standard.
The thread cover caps protruding external threads and thus protects them from dirt.
The high surface finish quality prevents dirt from adhering and reduces cleaning times to a minimum.

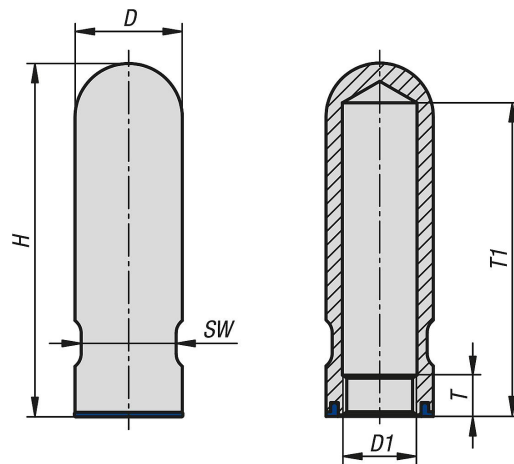
Application:

The thread cover is particularly suitable for machines, plants and appliances in the foodstuff, brewery, dairy, beverage and pharmaceutical industries.

Accessory:

Levelling feet 27791-05.

Drawings



Overview of items

Order No.	D	D1	H	T	T1	SW
27791-10-1112112	24	M12	112	12	102	20
27791-10-1116112	24	M16	112	12	102	20
27791-10-1120115	30	M20	115	12	102	26
27791-10-1124115	35	M24	115	12	102	30