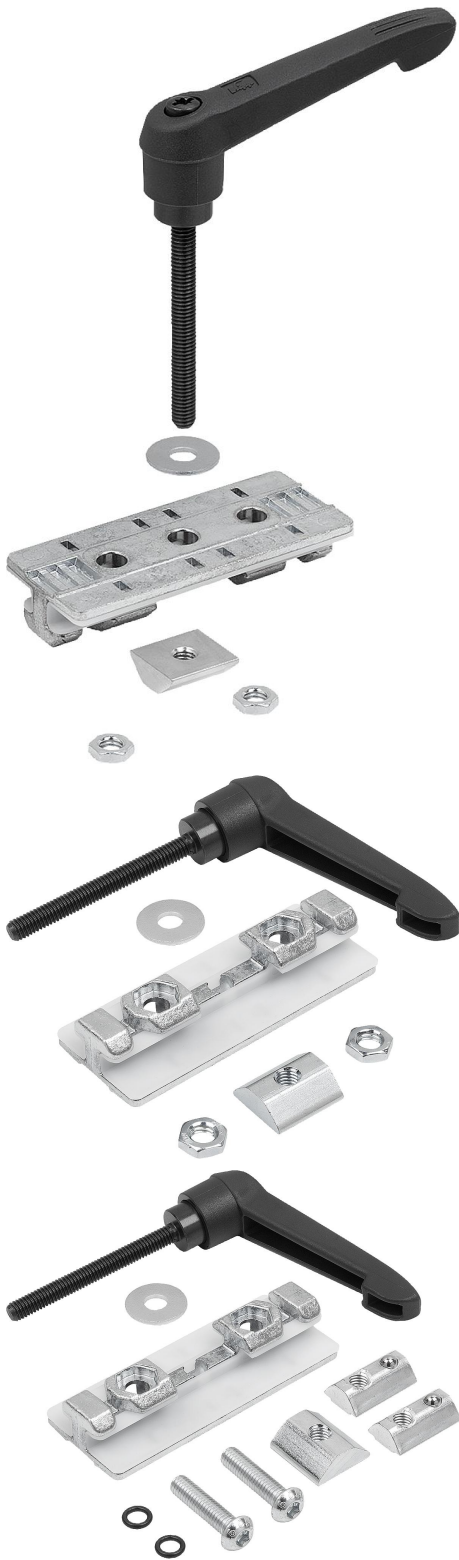


Item description/product images



Description

Material:

Body: die-cast zinc.

Slide elements: plastic POM.

Attachment parts: electro zinc-plated steel.

O-ring: EPDM.

Clamping lever: fibreglass reinforced plastic.

Clamping lever mechanics: steel

Note:

Metal profile slider with clipped-on plastic slide element. With an additional clamping lever for clamping the carriage system. Profile sliders enable low-wear linear movement of type I aluminium profiles with 8 mm slots. The absence of lubrication makes the system extremely insensitive to dirt.

The maximum permissible load for a profile slider is $F_{max.} = 50 \text{ N}$. The retaining force at a maximum tightening torque of 15 Nm is 600 N.

Slide guides with several slide carriages must be designed as a combination of fixed bearing (Form F) and floating bearing (Form L). This compensates for form tolerances and ensures light movement.

Form S: A set for connecting any add-on elements.

Form L: A set to use as a floating bearing.

Form F: A set to use as a fixed bearing.

Supplied with:

Form S: Profile slider with slide elements.

2x DIN 439 B M6 hex nuts.

1x M6x55 clamping lever with DIN 9021 6.4 mm washer and special M6 slot key for 8 mm slots.

Form L: Profile slider with slide elements.

2x ISO 7380 - M5x25 panhead screws.

2x DIN 3771 - 5x1,5 O-rings.

2x M5 slot keys for 8mm slots.

1x M6x55 clamping lever with DIN 9021 6.4 mm washer and special M6 slot key for 8 mm slots.

Form F: Profile slider with slide elements.

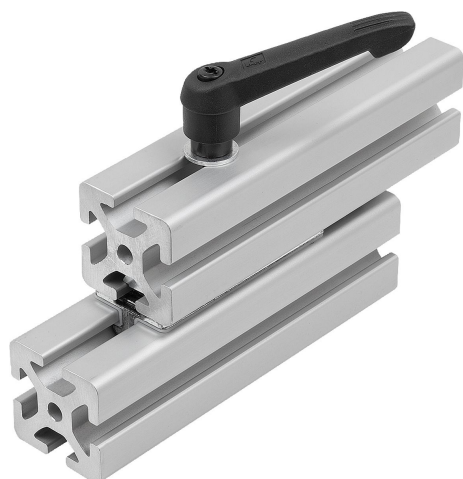
2x ISO 7380 M6x25 panhead screws.

2x DIN 3771 5x1,5 O-rings.

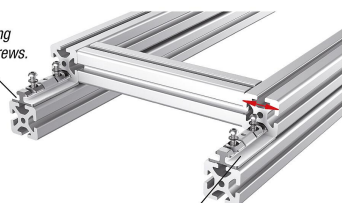
2x M6 slot keys for 8 mm slots.

1x M6x55 clamping lever with DIN 9021 6.4 mm washer and special M6 slot key for 8 mm slots.

Item description/product images

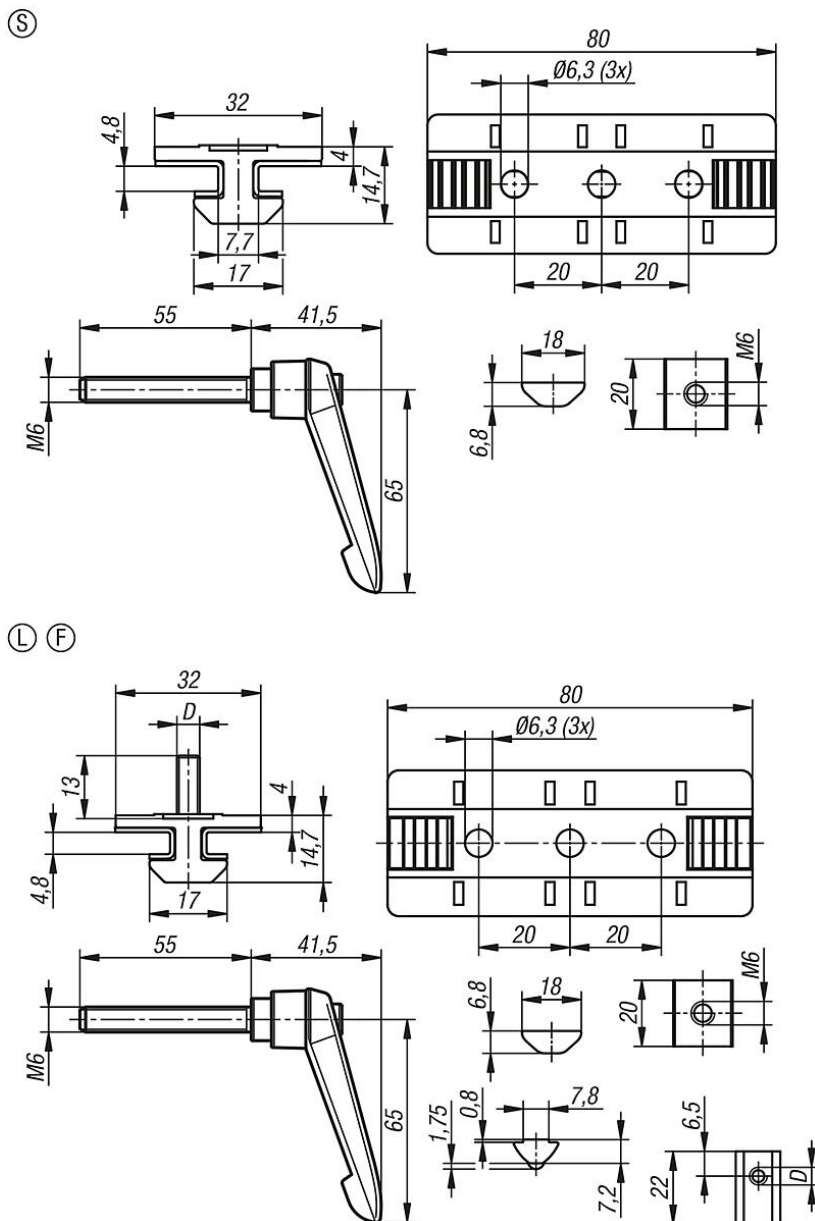


*Fixed bearing
with M6 screws.*



*Floating bearing with M5 screws.
The profiles can move laterally to
each other.*

Drawings



Overview of items

Order No.	Form	Form definition	D
10449-1001	S	standard	-
10449-2051	L	floating bearing	M5
10449-3061	F	fixed bearing	M6