

## Item description/product images



## Description

**Material:**

Steel 1.0718.  
Stainless steel 1.4305.  
Stainless steel 1.4404.  
Aluminium.

**Version:**

Steel black oxidised, screw steel 12.9.  
Stainless steel 1.4305 bright, screw stainless steel A2-70.  
Stainless steel 1.4404 bright, screw stainless steel A4-70.  
Aluminium bright, screw stainless steel A2-70.

**Note:**

One-piece shaft collars with an inner slit surround the shaft with an equal distribution of the clamping force. This leads to a very precise fit and high retaining force without damaging the shaft.

The shaft tolerance should lie within h11.

The shaft collars made of A4 stainless steel have a small centre point mark on the OD.

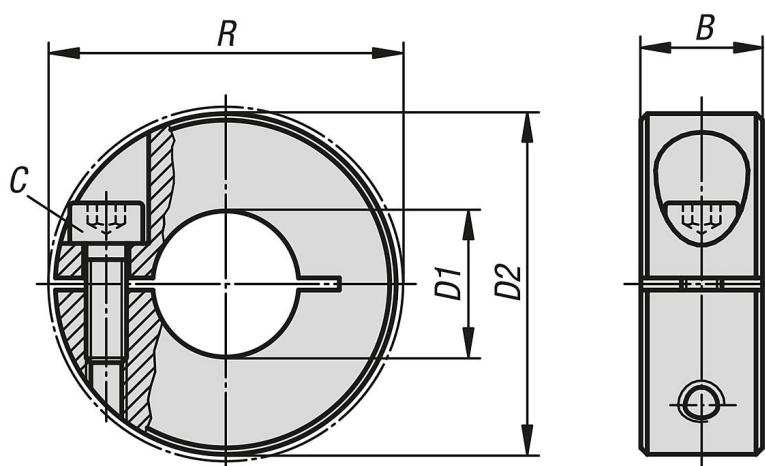
**Temperature range:**

-40 °C - +175 °C.

**On request:**

Other dimensions.

## Drawings



## Overview of items

Order No.	Form definition	Main material	B	C (DIN 912)	D1	D2	R
07810-00401	slitted inside	steel	9	M3x8	4	16	20,7
07810-00501	slitted inside	steel	9	M3x8	5	16	20,7
07810-00601	slitted inside	steel	9	M3x8	6	16	20,7
07810-00801	slitted inside	steel	9	M3x8	8	18	22,4

## Overview of items

Order No.	Form definition	Main material	B	C (DIN 912)	D1	D2	R
07810-01001	slitted inside	steel	9	M3x10	10	24	26
07810-01201	slitted inside	steel	11	M4x12	12	28	31,8
07810-01501	slitted inside	steel	13	M5x16	15	34	39,4
07810-01601	slitted inside	steel	13	M5x16	16	34	39,4
07810-01801	slitted inside	steel	13	M5x16	18	36	41,1
07810-02001	slitted inside	steel	15	M6x18	20	40	46,4
07810-02201	slitted inside	steel	15	M6x18	22	42	48,1
07810-02501	slitted inside	steel	15	M6x18	25	45	50,8
07810-02801	slitted inside	steel	15	M6x18	28	48	53,7
07810-03001	slitted inside	steel	15	M6x18	30	54	58,6
07810-04001	slitted inside	steel	15	M6x18	40	60	65
07810-05001	slitted inside	steel	19	M8x25	50	78	87
07810-00402	slitted inside	stainless steel	9	M3x8	4	16	20,7
07810-00502	slitted inside	stainless steel	9	M3x8	5	16	20,7
07810-00602	slitted inside	stainless steel	9	M3x8	6	16	20,7
07810-00802	slitted inside	stainless steel	9	M3x8	8	18	22,4
07810-01002	slitted inside	stainless steel	9	M3x10	10	24	26
07810-01202	slitted inside	stainless steel	11	M4x12	12	28	31,8
07810-01502	slitted inside	stainless steel	13	M5x16	15	34	39,4
07810-01602	slitted inside	stainless steel	13	M5x16	16	34	39,4
07810-01802	slitted inside	stainless steel	13	M5x16	18	36	41,1
07810-02002	slitted inside	stainless steel	15	M6x18	20	40	46,4
07810-02202	slitted inside	stainless steel	15	M6x18	22	42	48,1
07810-02502	slitted inside	stainless steel	15	M6x18	25	45	50,8
07810-02802	slitted inside	stainless steel	15	M6x18	28	48	53,7
07810-03002	slitted inside	stainless steel	15	M6x18	30	54	58,6
07810-04002	slitted inside	stainless steel	15	M6x18	40	60	65
07810-05002	slitted inside	stainless steel	19	M8x25	50	78	87
07810-00404	slitted inside	stainless steel A4	9	M3x8	4	16	20,7
07810-00504	slitted inside	stainless steel A4	9	M3x8	5	16	20,7
07810-00604	slitted inside	stainless steel A4	9	M3x8	6	16	20,7
07810-00804	slitted inside	stainless steel A4	9	M3x8	8	18	22,4
07810-01004	slitted inside	stainless steel A4	9	M3x10	10	24	26
07810-01204	slitted inside	stainless steel A4	11	M4x12	12	28	31,8
07810-01504	slitted inside	stainless steel A4	13	M5x16	15	34	39,4
07810-01604	slitted inside	stainless steel A4	13	M5x16	16	34	39,4
07810-01804	slitted inside	stainless steel A4	13	M5x16	18	36	41,1
07810-02004	slitted inside	stainless steel A4	15	M6x18	20	40	46,4
07810-02204	slitted inside	stainless steel A4	15	M6x18	22	42	48,1
07810-02504	slitted inside	stainless steel A4	15	M6x18	25	45	50,8
07810-02804	slitted inside	stainless steel A4	15	M6x18	28	48	53,7
07810-03004	slitted inside	stainless steel A4	15	M6x18	30	54	58,6
07810-04004	slitted inside	stainless steel A4	15	M6x18	40	60	65
07810-05004	slitted inside	stainless steel A4	19	M8x25	50	78	87
07810-00403	slitted inside	aluminium	9	M3x8	4	16	20,7
07810-00503	slitted inside	aluminium	9	M3x8	5	16	20,7
07810-00603	slitted inside	aluminium	9	M3x8	6	16	20,7
07810-00803	slitted inside	aluminium	9	M3x8	8	18	22,4
07810-01003	slitted inside	aluminium	9	M3x10	10	24	26
07810-01203	slitted inside	aluminium	11	M4x12	12	28	31,8
07810-01503	slitted inside	aluminium	13	M5x16	15	34	39,4
07810-01603	slitted inside	aluminium	13	M5x16	16	34	39,4
07810-01803	slitted inside	aluminium	13	M5x16	18	36	41,1
07810-02003	slitted inside	aluminium	15	M6x18	20	40	46,4
07810-02203	slitted inside	aluminium	15	M6x18	22	42	48,1
07810-02503	slitted inside	aluminium	15	M6x18	25	45	50,8
07810-02803	slitted inside	aluminium	15	M6x18	28	48	53,7
07810-03003	slitted inside	aluminium	15	M6x18	30	54	58,6
07810-04003	slitted inside	aluminium	15	M6x18	40	60	65
07810-05003	slitted inside	aluminium	19	M8x25	50	78	87

