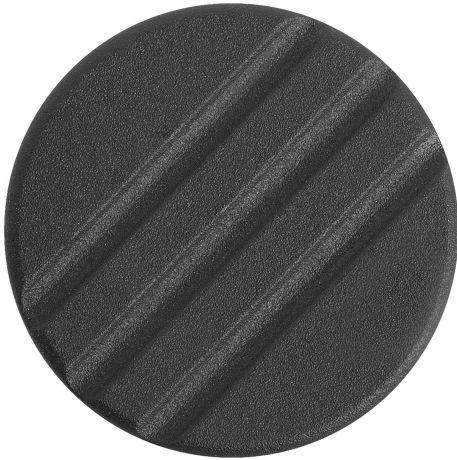


Item description/product images

**Description****Material:**

Black thermoplastic.
Bush grade 5.8 steel.

Version:

Steel trivalent blue-passivated.

Note:

For the inch series, dimension D is in inches, all other dimensions are in mm.

Drawing reference:

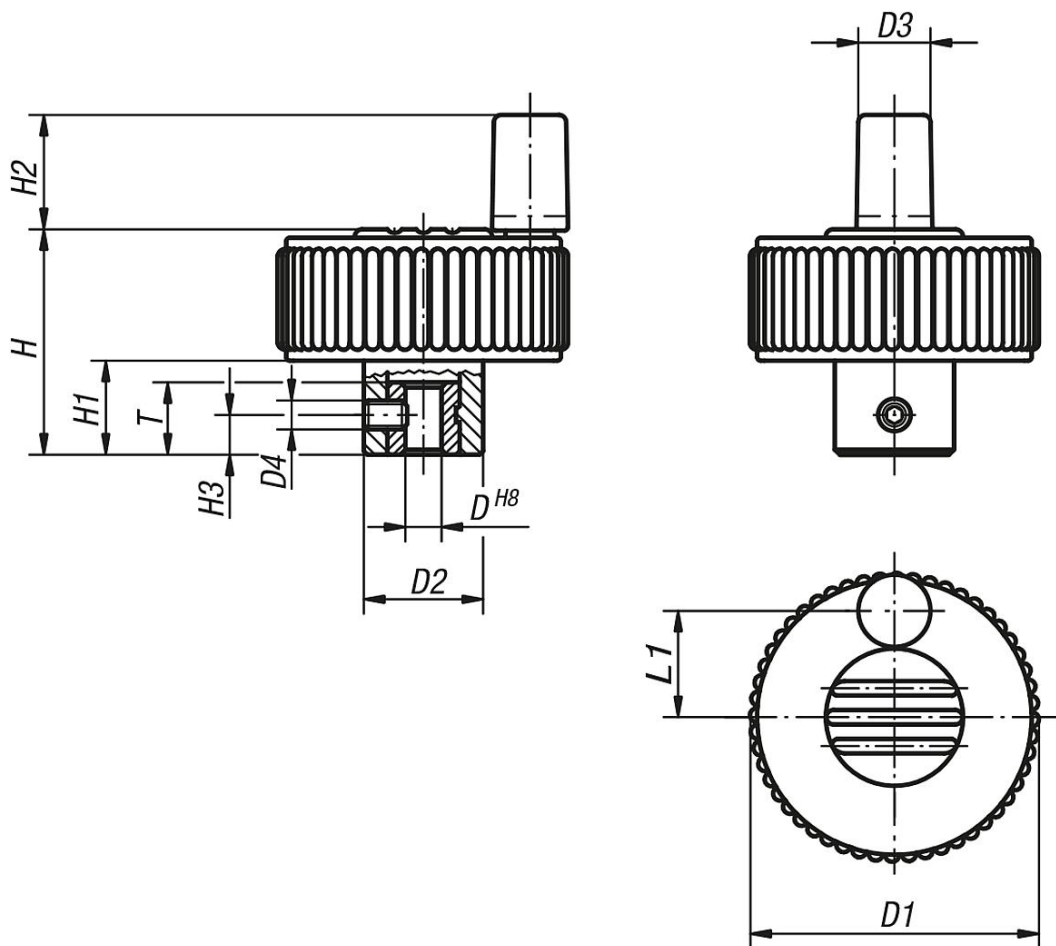
Form H: without locking grub screw

Form M: with locking grub screw

Item description/product images



Drawings



Overview of items

Knurled Wheels, internal components steel, with revolving handle, inch

Order No.	Form	Colour Cap	D	D1	D2	D3	D4	H	H1	H2	H3	L1	T
06268-21CM	H	black grey RAL 7021	0,25	40	16,5	10	-	31	13	16	-	15	10
06268-21CM5	H	light grey RAL 7035	0,25	40	16,5	10	-	31	13	16	-	15	10

Overview of items

Order No.	Form	Colour Cap	D	D1	D2	D3	D4	H	H1	H2	H3	L1	T
06268-21CM6	H	traffic red RAL 3020	0,25	40	16,5	10	-	31	13	16	-	15	10
06268-21CM7	H	colza yellow RAL 1021	0,25	40	16,5	10	-	31	13	16	-	15	10
06268-22CM	H	black grey RAL 7021	0,25	50	18	10	-	36	15	16	-	18,5	10
06268-22CM5	H	light grey RAL 7035	0,25	50	18	10	-	36	15	16	-	18,5	10
06268-22CM6	H	traffic red RAL 3020	0,25	50	18	10	-	36	15	16	-	18,5	10
06268-22CM7	H	colza yellow RAL 1021	0,25	50	18	10	-	36	15	16	-	18,5	10
06268-23CN	H	black grey RAL 7021	0,312	63	22	10	-	41	17	16	-	25	14
06268-23CN5	H	light grey RAL 7035	0,312	63	22	10	-	41	17	16	-	25	14
06268-23CN6	H	traffic red RAL 3020	0,312	63	22	10	-	41	17	16	-	25	14
06268-23CN7	H	colza yellow RAL 1021	0,312	63	22	10	-	41	17	16	-	25	14
06268-11CM	M	black grey RAL 7021	0,25	40	16,5	10	M4	31	13	16	5,5	15	10
06268-11CM5	M	light grey RAL 7035	0,25	40	16,5	10	M4	31	13	16	5,5	15	10
06268-11CM6	M	traffic red RAL 3020	0,25	40	16,5	10	M4	31	13	16	5,5	15	10
06268-11CM7	M	colza yellow RAL 1021	0,25	40	16,5	10	M4	31	13	16	5,5	15	10
06268-12CM	M	black grey RAL 7021	0,25	50	18	10	M4	36	15	16	5,5	18,5	10
06268-12CM5	M	light grey RAL 7035	0,25	50	18	10	M4	36	15	16	5,5	18,5	10
06268-12CM6	M	traffic red RAL 3020	0,25	50	18	10	M4	36	15	16	5,5	18,5	10
06268-12CM7	M	colza yellow RAL 1021	0,25	50	18	10	M4	36	15	16	5,5	18,5	10
06268-13CN	M	black grey RAL 7021	0,312	63	22	10	M4	41	17	16	8	25	14
06268-13CN5	M	light grey RAL 7035	0,312	63	22	10	M4	41	17	16	8	25	14
06268-13CN6	M	traffic red RAL 3020	0,312	63	22	10	M4	41	17	16	8	25	14
06268-13CN7	M	colza yellow RAL 1021	0,312	63	22	10	M4	41	17	16	8	25	14