

Item description/product images

INCH
Parts

Description

Material:

Handwheel, reinforced and stabilised polyamide.
Centre caps, polyamide.
Centre bushes, steel.

Version:

Handwheel, oil and grease resistant, black (RAL 9011), satin finish.
Centre caps, grey (RAL 7035).
Centre bushes, black oxidised.

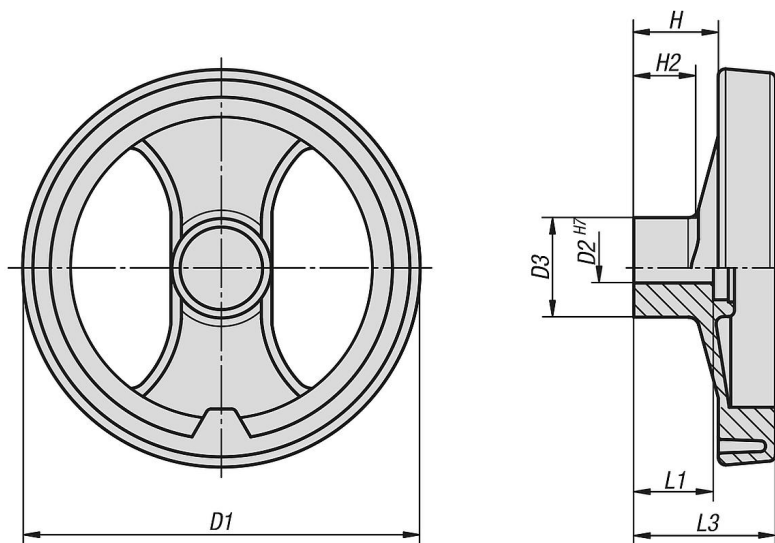
Note:

The H7 tolerance for the bore D2 in the drawing only applies to metric handwheels.
For inch handwheels the tolerance is H10.

On request:

Other cap colours.
Special versions.

Drawings



Overview of items

Order No.	D1	D2	D3	H	H2	L1	L3
06255-0080XCN	80	0,312	24,5	20	16	20	34
06255-0100XCO	99	0,375	28	25,5	20	24	42
06255-0100XCQ	99	0,625	28	25,5	20	24	42
06255-0130XCN	129	0,312	32	30	21	24	50
06255-0130XCO	129	0,375	32	30	21	24	50
06255-0160XCO	159	0,375	40	33	22	32	57
06255-0160XCP	159	0,5	40	33	22	32	57
06255-0160XCQ	159	0,625	40	33	22	32	57
06255-0200XCO	198	0,375	51	31	17,5	32	60
06255-0200XCQ	198	0,625	51	31	17,5	32	60
06255-0250XCQ	252	0,625	55,5	39,5	24	36	71

Overview of items
