

Item description/product images

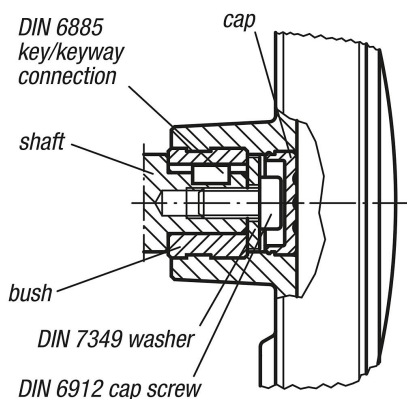


Description

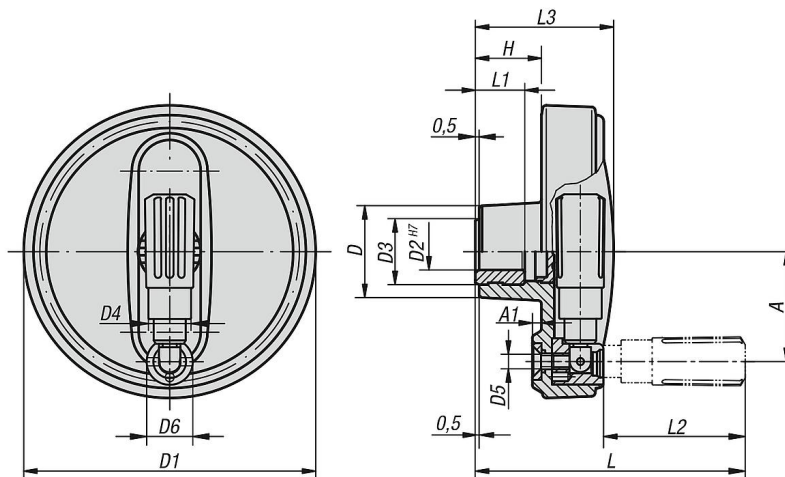
Material:
Black grey thermoplastic.

Version:
Steel parts black oxidised.

Note:
The hub cap is supplied loose.
The handwheels can be secured using a transverse pin or by parallel key connection together with a DIN 6912 socket head screw and a DIN 7349 washer.



Drawings



Overview of items

| Order No. | Size | D | D1 | D2 | D3 | D4 | D5 | D6 | A | A1 | H | L | L1 | L2 | L3 |
|--------------|------|----|-----|-------|----|----|----|----|------|-----|------|-----|------|------|------|
| 06264-1080C0 | 1 | 25 | 80 | 0,375 | 19 | 13 | M4 | 13 | 30 | 2,5 | 17,5 | 75 | 13 | 40 | 37,5 |
| 06264-2100C0 | 2 | 28 | 100 | 0,375 | 19 | 16 | M5 | 16 | 38 | 3 | 20 | 90 | 13 | 49 | 44 |
| 06264-2100CP | 2 | 28 | 100 | 0,5 | 19 | 16 | M5 | 16 | 38 | 3 | 20 | 90 | 13 | 49 | 44 |
| 06264-3125CP | 3 | 35 | 125 | 0,5 | 25 | 20 | M6 | 20 | 47,5 | 4 | 23,5 | 109 | 18,5 | 59,5 | 53 |
| 06264-4160CP | 4 | 45 | 160 | 0,5 | 25 | 25 | M8 | 26 | 62 | 5,6 | 28 | 144 | 18,5 | 83,5 | 64,5 |
| 06264-4160CQ | 4 | 45 | 160 | 0,625 | 25 | 25 | M8 | 26 | 62 | 5,6 | 28 | 144 | 18,5 | 83,5 | 64,5 |

