

## Item description/product images



## Description

**Material:**

Polyamide (PA6).  
Seal ring CR / NBR.

**Version:**

Light grey RAL 7035.

**Note:**

Cable glands with DIN EN 60423 metric threads. Sealing and tension relief are provided by internal lamellae and a seal ring.

Rated IP68 (5 bar - 30 min).

Cable glands are used to route permanently laid cables and lines in housings, distributors and junction boxes.

Discolouration may occur on the contact face of cable glands with flat seals. This does not impair the function of the component and is not visible when installed.

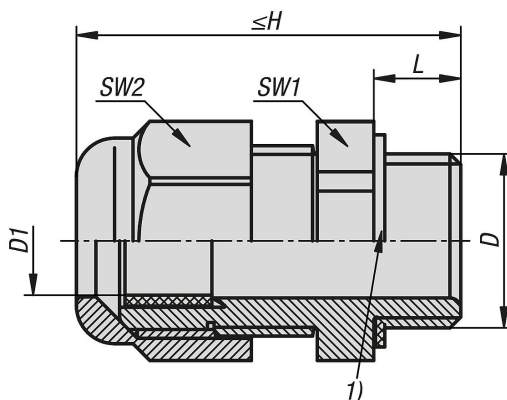
**Temperature range:**

Static: -40 °C to +100 °C.  
Dynamic: -20 °C to +100 °C.

**Drawing reference:**

1) Flat sealing washer M32x1.5

## Drawings



## Overview of items

Order No.	Version 1	D	D1	H max.	L	SW1	SW2	Max. tightening torque on SW1 Nm	Max. tightening torque on SW2 Nm
84100-121500	with standard thread length	M12X1,5	3-6,5	31	8	15	15	1,5	1,5
84100-161500	with standard thread length	M16x1,5	5-9,5	35,5	8	20	20	2,5	2,5
84100-201500	with standard thread length	M20X1,5	8-13	36	8	24	24	3,5	3,5
84100-251500	with standard thread length	M25x1,5	11-17	43	8	29	29	5	5
84100-321500	with standard thread length	M32x1,5	15-21	50	10	36	36	5	5
84100-401500	with standard thread length	M40X1,5	19-28	51	10	46	46	7,5	7,5
84100-161510	with long thread	M16x1,5	5-9,5	42,5	15	20	20	2,5	2,5
84100-201510	with long thread	M20X1,5	8-13	43	15	24	24	3,5	3,5
84100-251510	with long thread	M25x1,5	11-17	50	15	29	29	5	5

## Overview of items

Order No.	Version 1	D	D1	H max.	L	SW1	SW2	Max. tightening torque on SW1 Nm	Max. tightening torque on SW2 Nm
84100-321510	with long thread	M32x1,5	15-21	55	15	36	36	5	5
84100-401510	with long thread	M40X1,5	19-28	59	18	46	46	7,5	7,5