

Item description/product images



Description

Material:

Reinforced polyamide thermoplastic, black grey.
Threaded pin 5.8 steel or stainless steel 1.4305.

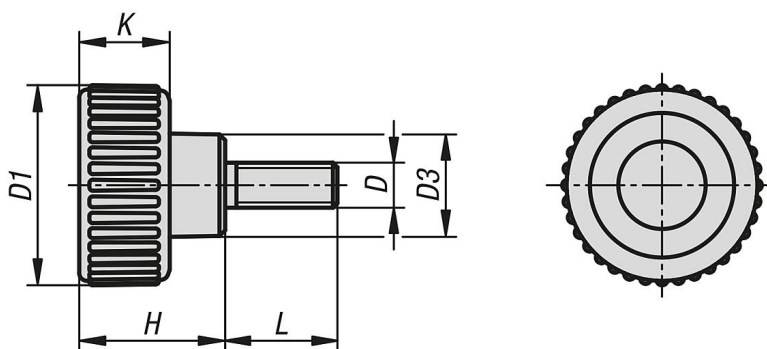
Version:

Threaded pin trivalent blue passivated steel, bright stainless steel.

Advantages:

The knurled screws can be tightened or loosened without tools.
Suitable for manual fixing and clamping.
Various thread sizes and lengths.

Drawings



Overview of items

Order No.	Component material	D	D1	D3	H	K	L
06091-01-1804X10	steel	M4	18	9	13	8	10
06091-01-1804X15	steel	M4	18	9	13	8	15
06091-01-2005X10	steel	M5	20	10,6	15	9	10
06091-01-2005X15	steel	M5	20	10,6	15	9	15
06091-01-2005X20	steel	M5	20	10,6	15	9	20
06091-01-2506X10	steel	M6	25	12	17	10	10
06091-01-2506X15	steel	M6	25	12	17	10	15
06091-01-2506X20	steel	M6	25	12	17	10	20
06091-01-2506X30	steel	M6	25	12	17	10	30
06091-01-2506X40	steel	M6	25	12	17	10	40
06091-01-3208X15	steel	M8	32	14	22	13	15
06091-01-3208X20	steel	M8	32	14	22	13	20
06091-01-3208X30	steel	M8	32	14	22	13	30
06091-01-3208X40	steel	M8	32	14	22	13	40
06091-01-4010X20	steel	M10	40	18	25	14	20
06091-01-4010X30	steel	M10	40	18	25	14	30
06091-01-4010X40	steel	M10	40	18	25	14	40
06091-01-18042X10	stainless steel	M4	18	9	13	8	10
06091-01-18042X15	stainless steel	M4	18	9	13	8	15
06091-01-20052X10	stainless steel	M5	20	10,6	15	9	10
06091-01-20052X15	stainless steel	M5	20	10,6	15	9	15
06091-01-20052X20	stainless steel	M5	20	10,6	15	9	20
06091-01-25062X10	stainless steel	M6	25	12	17	10	10
06091-01-25062X15	stainless steel	M6	25	12	17	10	15
06091-01-25062X20	stainless steel	M6	25	12	17	10	20
06091-01-25062X30	stainless steel	M6	25	12	17	10	30
06091-01-25062X40	stainless steel	M6	25	12	17	10	40
06091-01-32082X15	stainless steel	M8	32	14	22	13	15

Overview of items

Order No.	Component material	D	D1	D3	H	K	L
06091-01-32082X20	stainless steel	M8	32	14	22	13	20
06091-01-32082X30	stainless steel	M8	32	14	22	13	30
06091-01-32082X40	stainless steel	M8	32	14	22	13	40
06091-01-40102X20	stainless steel	M10	40	18	25	14	20
06091-01-40102X30	stainless steel	M10	40	18	25	14	30
06091-01-40102X40	stainless steel	M10	40	18	25	14	40